

FIBER OPTIC SYSTEM

Fiber Connector

Connector Performance

Test & Standard Ref	ST			FC			SC			LC			MTRJ			MPO		
Intermateability Standard	TIA/EIA-604-2			TIA/EIA-604-4			TIA/EIA-604-3			TIA/EIA-604-10			TIA/EIA-604-12			TIA/EIA-604-5		
Stretch Test																		
IL & RL	Typical IL	Max IL	Max RL	Typical IL	Max IL	Max RL	Typical IL	Max IL	Max RL	Typical IL	Max IL	Max RL	Typical IL	Max IL	Max RL	Typical IL	Max IL	Max RL
Single Mode (SPC) (dB)	≤ 0.3	≤ 0.2	≥ 45	≤ 0.3	≤ 0.2	≥ 45	≤ 0.3	≤ 0.2	≥ 45	≤ 0.3	≤ 0.2	≥ 45	≤ 0.3	≤ 0.65	≥ 45	N/A	N/A	N/A
Single Mode (UPC) (dB)	N/A	N/A	≥ 55	≤ 0.1	≤ 0.2	≥ 55	≤ 0.1	≤ 0.2	≥ 55	≤ 0.1	≤ 0.2	≥ 55	N/A	N/A	≥ 55	≤ 0.3	≤ 0.50	≥ 40
Single Mode (APC) (dB)	N/A	N/A	≥ 60	≤ 0.1	≤ 0.2	≥ 60	≤ 0.1	≤ 0.2	≥ 60	≤ 0.1	≤ 0.2	≥ 60	N/A	N/A	≥ 60	N/A	≤ 0.75	≥ 60
Multimode Mode (PC) (dB)	≤ 0.25	≤ 0.3	N/A	≤ 0.25	≤ 0.3	N/A	≤ 0.25	≤ 0.3	N/A	≤ 0.1	≤ 0.3	N/A	≤ 0.3	≤ 0.45	N/A	≤ 0.4	≤ 0.5	N/A
Ferrule Φ / tolerance	SM: Φ125.5~126.5um (±0.5um) MM: Φ126.0~127.5um (±0.75um)																	
Thermal age:	85°C for 168 hours < 0.2dB Change (GR-326-CORD 4.4.2.1.)																	
Temperature Cycling:	-40°C to +70°C, 30min, 25 cycles < 0.2dB Change (IEC 60603-7-4)																	
Damp Heat:	+65°C at 93% RH, 12 hours, +25°C at 93% RH, 10 hours, -10°C, 2 hours, 21 cycles < 0.25dB Change (IEC 60603-7-4)																	
Salt Spray Test	Saline concentration: 5 %, PH:6.8±0.45, value of spray: 1.0~2.0mL 80cm ² , Test hours: 8H;24H;48H;72H;96H																	
Durability Test:	Maximum insertion loss ≤ 0.3dB after 200 insertions (TIA/EIA-455-21)																	

ST Connector



	Part Number	Part Description	Boot	Ctn. Qty.
A	FCTSM9BK	ST MM simplex PC connector for 0.9mm cable	Black	2000
	FCTSS9YL	ST SM simplex SPC connector for 0.9mm cable	Yellow	2000
B	FCTSM2BK	ST MM simplex PC connector for 2.0mm cable	Black	2000
	FCTSS2YL	ST SM simplex SPC connector for 2.0mm cable	Yellow	2000
C	FCTSM3BK	ST MM simplex PC connector for 3.0mm cable	Black	2000
	FCTSS3YL	ST SM simplex SPC connector for 3.0mm cable	Yellow	2000

FC Connector



	Part Number	Part Description	Boot	Ctn. Qty.
A	FCFSM9BK	FC MM simplex PC connector for 0.9mm cable	Black	2000
	FCFSS9YL	FC SM simplex SPC connector for 0.9mm cable	Yellow	2000
	FCFSA9GN	FC SM simplex APC connector for 0.9mm cable	Green	2000
B	FCFSM3BK	FC MM simplex SPC connector for 3.0mm cable	Black	2000
	FCFSS3YL	FC SM simplex PC connector for 3.0mm cable	Yellow	2000
	FCFSA3GN	FC SM simplex APC connector for 3.0mm cable	Green	2000
	FCFSM2BK	FC MM simplex connector for 2.0mm cable	Black	2000
	FCFSS2YL	FC SM simplex connector for 2.0mm cable	Yellow	2000

SC Connector



Part Number		Part Description	Boot	Ctn. Qty.
SC Simplex Connector				
A	FCCSM9BK	SC MM simplex PC connector for 0.9mm cable	Black	2000
	FCCSS9BL	SC SM simplex SPC connector for 0.9mm cable	Blue	2000
	FCCSA9GN	SC SM simplex APC connector for 0.9mm cable	Green	2000
B	FCCSM3BK	SC MM simplex PC connector for 3.0mm cable	Black	2000
	FCCSS3BL	SC SM simplex SPC connector for 3.0mm cable	Blue	2000
	FCCSA3GN	SC SM simplex APC connector for 3.0mm cable	Green	2000
	FCCSM2BK	SC MM simplex connector for 2.0mm cable	Black	2000
	FCCSS2BL	SC SM simplex connector for 2.0mm cable	Blue	2000
	FCCSA2GN	SC SM/APC simplex connector for 2.0mm cable	Green	2000
SC Duplex Connector				
C	FCCDM3BR	SC MM duplex PC connector for 3.0mm cable	Black Red	500
	FCCDS3BL	SC SM duplex SPC connector for 3.0mm cable	Blue	500
	FCCDA3GN	SC SM duplex APC connector for 3.0mm cable	Green	500

LC Connector



Part Number		Part Description	Housing	Ctn. Qty.
LC Simplex Connector				
A	FCLSM9WHIV	LC MM simplex PC connector for 0.9mm cable	Ivory	2000
	FCLSS9WHBL	LC SM simplex SPC connector for 0.9mm cable	Blue	2000
	FCLSA9WHGN	LC SM simplex APC connector for 0.9mm cable	Green	2000
B	FCLSM2WHIV	LC MM simplex PC connector for 2.0mm cable	Ivory	2000
	FCLSS2WHBL	LC SM simplex SPC connector for 2.0mm cable	Blue	2000
	FCLSA2WHGN	LC SM simplex APC connector for 2.0mm cable	Green	2000
C	FCLSM3WHIV	LC MM simplex PC connector for 3.0mm cable	Ivory	2000
	FCLSS3WHBL	LC SM simplex SPC connector for 3.0mm cable	Blue	2000
	FCLSA3WHGN	LC SM simplex APC connector for 3.0mm cable	Green	2000
LC Duplex Connector				
D	FCLDM2WHIV	LC MM duplex PC connector for 2.0mm cable	Ivory	1000
	FCLDS2WHBL	LC SM duplex SPC connector for 2.0mm cable	Blue	1000
	FCLDA2WHGN	LC SM duplex APC connector for 2.0mm cable	Green	1000
E	FCLDM3WHIV	LC MM duplex PC connector for 3.0mm cable	Ivory	1000
	FCLDS3WHBL	LC SM duplex SPC connector for 3.0mm cable	Blue	1000
	FCLDA3WHGN	LC SM duplex APC connector for 3.0mm cable	Green	1000

FIBER OPTIC SYSTEM

MTRJ Connector



Part Number		Part Description	Boot	Ctn. Qty.
A	FCJFM1	MTRJ MM female PC connector with 1.8mm boot	Black	1000
	FCJFS1	MTRJ SM female SPC connector with 1.8mm boot	Black	1000
	FCJMM1	MTRJ MM male PC connector with 1.8mm boot	Black	1000
	FCJMS1	MTRJ SM male SPC connector with 1.8mm boot	Black	1000
B	FCJFM3	MTRJ MM female PC connector with 3.0mm boot	Black	1000
	FCJFS3	MTRJ SM female SPC connector with 3.0mm boot	Black	1000
	FCJMM3	MTRJ MM male PC connector with 3.0mm boot	Black	1000
	FCJMS3	MTRJ SM male SPC connector with 3.0mm boot	Black	1000

MTP/MPO Connector



Part Number	Part Description	Boot	Ctn. Qty.
A. MTP Connector			
FCPFM3BKIV	MTP MM female PC connector with 3.0mm boot	Ivory	1000
FCPFM3BKAQ	MTP MM female PC connector with 3.0mm boot	Aqua	1000
FCPFS3BKGN	MTP SM female APC connector with 3.0mm boot	Green	1000
FCPMM3BKIV	MTP MM male PC connector with 3.0mm boot	Ivory	1000
FCPMM3BKAQ	MTP MM male PC connector with 3.0mm boot	Aqua	1000
FCPMS3BKGN	MTP SM male APC connector with 3.0mm boot	Green	1000
FCPFM4BKIV	MTP MM female PC connector with 3.6mm Boot	Ivory	1000
FCPFM4BKAQ	MTP MM female PC connector with 3.6mm Boot	Aqua	1000
FCPFS4BKGN	MTP SM female APC connector with 3.6mm Boot	Green	1000
FCPMM4BKIV	MTP MM male PC connector with 3.6mm Boot	Ivory	1000
FCPMM4BKAQ	MTP MM male PC connector with 3.6mm Boot	Aqua	1000
FCPMS4BKGN	MTP SM male APC connector with 3.6mm Boot	Green	1000
B. MPO Connector			
FCOFM3BKIV	MPO MM female PC connector with 3.0mm boot	Ivory	1000
FCOFM3BKAQ	MPO MM female PC connector with 3.0mm boot	Aqua	1000
FCOFS3BKGN	MPO SM female APC connector with 3.0mm boot	Green	1000
FCOMM3BKIV	MPO MM male PC connector with 3.0mm boot	Ivory	1000
FCOMM3BKAQ	MPO MM male PC connector with 3.0mm boot	Aqua	1000
FCOMS3BKGN	MPO SM male APC connector with 3.0mm boot	Green	1000
FCOFM4BKIV	MPO MM female PC connector with 3.6mm Boot	Ivory	1000
FCOFM4BKAQ	MPO MM female PC connector with 3.6mm Boot	Aqua	1000
FCOFS4BKGN	MPO SM female APC connector with 3.6mm Boot	Green	1000
FCOMM4BKIV	MPO MM male PC connector with 3.6mm Boot	Ivory	1000
FCOMM4BKAQ	MPO MM male PC connector with 3.6mm Boot	Aqua	1000
FCOMS4BKGN	MPO SM male APC connector with 3.6mm Boot	Green	1000

Fiber Adaptor

Adaptor Performance

Test & Standard Ref	ST	FC	SC	LC	MTRJ	MPO
Intermateability Standard	TIA/EIA-604-2	TIA/EIA-604-4	TIA/EIA-604-3	TIA/EIA-604-10	TIA/EIA-604-12	TIA/EIA-604-5
Stretch Test						
Insertion force test PB sleeve	200~700gf	200~700gf	200~700gf	100~300gf	NA	NA
Insertion force test Zirconia sleeve	200~600gf	200~600gf	200~600gf	100~250gf	NA	NA
Ferrule Φ / tolerance	SM: $\Phi 125.5\sim 126.5\mu\text{m}$ ($\pm 0.5\mu\text{m}$) MM: $\Phi 126.0\sim 127.5\mu\text{m}$ ($\pm 0.75\mu\text{m}$)					
Thermal age:	85°C for 168 hour – s < 0.2dB Change (GR-326-CORD 4.4.2.1.)					
Temperature Cysling:	-40°C to +70°C, 30min, 25 cycles < 0.2dB Change (IEC 60603-7-4)					
Damp Heat:	+65°C at 93% RH, 12 hours, +25°C at 93% RH, 10 hours, -10°C, 2 hours, 21 cycles < 0.25dB Change (IEC 60603-7-4)					
Salt Spray Test	Saline concentration: 5 %, PH:6.8 \pm 0.45, value of spray: 1.0~2.0mL 80cm ² , Test hours: 8H;24H;48H:72H:96H					

ST Adaptor



Part Number	Part Description	Type	Housing	Ctn. Qty.
A. ST Adaptor-Simplex-Thread				
FATSTM	ST-Thread Simplex MM adaptor with phosphor bronze sleeve	OM1, OM2 OM3, OM4	Metal	1,000
FATSTS	ST-Thread Simplex SM adaptor with zirconia ceramic sleeve	OS1,OS2	Metal	1,000
B. ST Adaptor-Simplex-Flange				
FATSFMIV	ST-Flange Simplex MM adaptor with phosphor bronze sleeve	OM1, OM2 OM3, OM4	Ivory	1,000
FATSFSDL	ST-Flange Simplex SM adaptor with zirconia ceramic sleeve	OS1,OS2	Blue	1,000
C. ST Adaptor-Duplex-Flange				
FATDFMIV	ST-Flange Duplex MM adaptor with phosphor bronze sleeve	OM1, OM2 OM3, OM4	Ivory	500
FATDFSDL	ST-Flange Duplex SM adaptor with zirconia ceramic sleeve	OS1,OS2	Blue	500

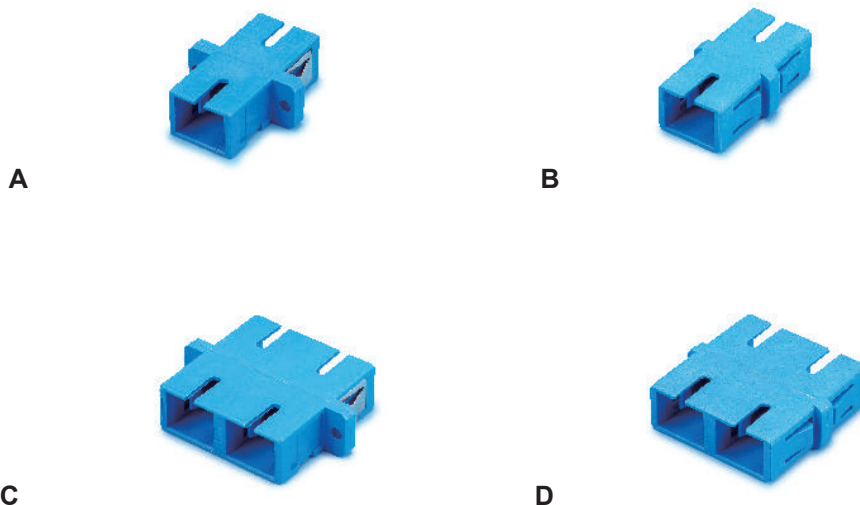
FC Adaptor



Part Number	Part Description	Type	Housing	Ctn. Qty.
A. FC Adaptor-Simplex-Square				
FAFSSM	FC-Square Simplex MM adaptor with phosphor bronze sleeve	OM1, OM2 OM3, OM4	Metal	1,000
FAFSSS	FC-Square Simplex SM adaptor with zirconia ceramic sleeve	OS1,OS2	Metal	1,000
B. FC Adaptor-Simplex-D Shape				
FAFSM	FC-D shape Simplex MM adaptor with phosphor bronze sleeve	OM1, OM2 OM3, OM4	Metal	1,000
FAFSDS	FC-D shape Simplex SM adaptor with zirconia ceramic sleeve	OS1,OS2	Metal	1,000
C. FC Adaptor-Simplex-Flange				
FAFSMIV	FC-Flange Duplex MM adaptor with phosphor bronze sleeve	OM1, OM2 OM3, OM4	Ivory	1,000
FAFSSDL	FC-Flange Duplex SM adaptor with zirconia ceramic sleeve	OS1,OS2	Blue	1,000

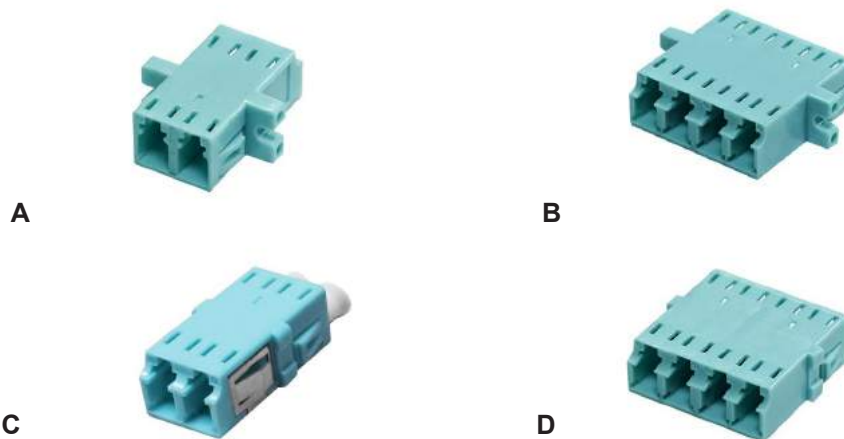
FIBER OPTIC SYSTEM

SC Adaptor



Part Number	Part Description	Type	Boot	Ctn. Qty.
A. SC Adaptor-Simplex-Flange				
FACSF3M3IV	SC- Flange Simplex MM adaptor with phosphor bronze sleeve	OM1,OM2, OM3,OM4	Ivory	1,000
FACSFT3AQ	SC- Flange Simplex MM adaptor with zirconia ceramic sleeve	OM3,OM4	Aqua	1,000
FACSFT3VT	SC- Flange Simplex MM adaptor with zirconia ceramic sleeve	OM3,OM4	Violet	1,000
FACSFS3BL	SC-Flange Simplex SM adaptor with zirconia ceramic sleeve	OS1,OS2	Blue	1,000
FACSFC3GN	SC-Flange Simplex SM/APC adaptor with zirconia ceramic sleeve	OS1,OS2	Green	1,000
FACSF3P3AQ	SC-Flange Simplex MM adaptor with PB sleeve		Aqua	1,000
B. SC Adaptor-Simplex-Flangeless				
FACSLM3IV	SC- Flangeless Simplex MM adaptor with phosphor bronze sleeve	OM1,OM2, OM3,OM4	Ivory	1,000
FACSLT3AQ	SC- Flangeless Simplex MM adaptor with zirconia ceramic sleeve	OM3,OM4	Aqua	1,000
FACSLT3VT	SC- Flangeless Simplex MM adaptor with zirconia ceramic sleeve	OM3,OM4	Violet	1,000
FACSLS3BL	SC-Flangeless Simplex SM adaptor with zirconia ceramic sleeve	OS1,OS2	Blue	1,000
FACSLC3GN	SC-Flangeless Simplex SM/APC adaptor with zirconia ceramic sleeve	OS1,OS2	Green	1,000
FACSLP3AQ	SC-Flangeless Simplex MM adaptor with PB sleeve	OM3,OM4	Aqua	1,000
C. SC Adaptor-Duplex-Flange				
FACDFM3IV	SC- Flange Duplex MM adaptor with phosphor bronze sleeve	OM1,OM2, OM3,OM4	Ivory	1,000
FACDFT3AQ	SC- Flange Duplex MM adaptor with zirconia ceramic sleeve	OM3,OM4	Aqua	1,000
FACDFT3VT	SC- Flange Duplex MM adaptor with zirconia ceramic sleeve	OM3,OM4	Violet	1,000
FACDFS3BL	SC-Flange Duplex SM adaptor with zirconia ceramic sleeve	OS1,OS2	Blue	1,000
FACDFC3GN	SC-Flange Duplex SM/APC adaptor with zirconia ceramic sleeve	OS1,OS2	Green	1,000
FACDFP3AQ	SC-Flange Duplex MM adaptor with PB sleeve	OM3,OM4	Aqua	1,000
D. SC Adaptor-Duplex-Flangeless				
FACDLM3IV	SC- Flangeless Duplex MM adaptor with phosphor bronze sleeve	OM1,OM2, OM3,OM4	Ivory	1,000
FACDLT3AQ	SC- Flangeless Duplex MM adaptor with zirconia ceramic sleeve	OM3,OM4	Aqua	1,000
FACDLT3VT	SC- Flangeless Duplex MM adaptor with zirconia ceramic sleeve	OM3,OM4	Violet	1,000
FACDLS3BL	SC-Flangeless Duplex SM adaptor with zirconia ceramic sleeve	OS1,OS2	Blue	1,000
FACDLC3GN	SC-Flangeless Duplex SM/APC adaptor with zirconia ceramic sleeve	OS1,OS2	Green	1,000
FACDLP3AQ	SC-Flange Duplex MM adaptor with PB sleeve	OM3,OM4	Aqua	1,000

LC Adaptor



Part Number	Part Description	Type	Boot	Ctn. Qty.
LC Adaptor-Duplex-Flange				
FALDFM3IV	LC- Flange Duplex MM adaptor with phosphor bronze sleeve	OM1,OM2,OM3,OM4	Ivory	1,000
FALDFT3AQ	LC- Flange Duplex MM adaptor with zirconia ceramic sleeve	OM3,OM4	Aqua	1,000
FALDFT3VT	LC- Flange Duplex MM adaptor with zirconia ceramic sleeve	OM3,OM4	Violet	1,000
FALDFS3BL	LC- Flange Duplex SM adaptor with zirconia ceramic sleeve	OS1,OS2	Blue	1,000
FALDFC3GN	LC- Flange Duplex SM/APC adaptor with zirconia ceramic sleeve	OS1,OS2	Green	1,000
FALDFM4IV	LC- Flange Duplex MM adaptor with phosphor bronze sleeve, stainless clip	OM1,OM2,OM3,OM4	Ivory	500
FALDFS4BL	LC- Flange Duplex SM adaptor with zirconia ceramic sleeve, stainless clip	OS1,OS2	Blue	500
FALDFP3AQ	LC- Flange Duplex MM adaptor with PB sleeve	OM3,OM4	Aqua	1,000
LC Adaptor-Duplex-Flangeless				
FALDLM3IV	LC- Flangeless Duplex MM adaptor with phosphor bronze sleeve	OM1,OM2,OM3,OM4	Ivory	1,000
FALDLT3AQ	LC- Flangeless Duplex MM adaptor with zirconia ceramic sleeve	OM3,OM4	Aqua	1,000
FALDLT3VT	LC- Flangeless Duplex MM adaptor with zirconia ceramic sleeve	OM3,OM4	Violet	1,000
FALDLS3BL	LC- Flangeless Duplex SM adaptor with zirconia ceramic sleeve	OS1,OS2	Blue	1,000
FALDLC3GN	LC- Flangeless Duplex SM/APC adaptor with zirconia ceramic sleeve	OS1,OS2	Green	1,000
FALDLP3AQ	LC- Flangeless Duplex MM adaptor with PB sleeve	OM3,OM4	Aqua	1,000
LC Adaptor-Quad.-Flange				
FALQFM3IV	LC- Flange Quad. MM adaptor with phosphor bronze sleeve	OM1,OM2,OM3,OM4	Ivory	500
FALQFT3AQ	LC- Flange Quad. MM adaptor with zirconia ceramic sleeve	OM3,OM4	Aqua	500
FALQFT3VT	LC- Flange Quad. MM adaptor with zirconia ceramic sleeve	OM3,OM4	Violet	500
FALQFS3BL	LC- Flange Quad. SM adaptor with zirconia ceramic sleeve	OS1,OS2	Blue	500
FALQFC3GN	LC- Flange Quad. SM/APC adaptor with zirconia ceramic sleeve	OS1,OS2	Green	500
FALQFP3AQ	LC- Flange Quad. MM adaptor with PB sleeve	OM3,OM4	Aqua	500
LC Adaptor-Quad.-Flangeless				
FALQLM3IV	LC- Flangeless Quad. MM adaptor with phosphor bronze sleeve	OM1,OM2,OM3,OM4	Ivory	500
FALQLT3AQ	LC- Flangeless Quad. MM adaptor with zirconia ceramic sleeve	OM3,OM4	Aqua	500
FALQLT3VT	LC- Flangeless Quad. MM adaptor with zirconia ceramic sleeve	OM3,OM4	Violet	500
FALQLS3BL	LC- Flangeless Quad. SM adaptor with zirconia ceramic sleeve	OS1,OS2	Blue	500
FALQLC3GN	LC- Flangeless Quad. SM/APC adaptor with zirconia ceramic sleeve	OS1,OS2	Green	500
FALQLP3AQ	LC- Flangeless Quad. MM adaptor with PB sleeve	OM3,OM4	Aqua	1,000

FIBER OPTIC SYSTEM

MTRJ Adaptor

A



MPO/MTP Adaptor

B



Part Number	Part Description	Type	Boot	Ctn. Qty.
MTRJ Adaptor				
FAJSFBK	MTRJ- Flange adaptor	OM1, OM2 OM3, OM4	Black	1,000
FAJSFGY	MTRJ- Flange adaptor	OM1, OM2 OM3, OM4	Gray	1,000
MPO/MTP Adaptor				
FAOSFABK	MPO- Flange adaptor, Up to Down	OM1, OM2 OM3, OM4	Black	1,000
FAOSFBBK	MPO- Flange adaptor, Up to Up	OM1, OM2 OM3, OM4	Black	1,000
FAOSLABK	MPO- Flangeless Adaptor, Up to Down	OM1, OM2 OM3, OM4	Black	1,000
FAOSLBBK	MPO- Flangeless Adaptor, Up to Up	OM1, OM2 OM3, OM4	Black	1,000
FAOSPABK	MPO- Flange Footprint Adaptor, Up to Down	OM1, OM2 OM3, OM4	Black	1,000
FAOPFBBK	MPO- Flange Footprint Adaptor, Up to Up	OM1, OM2 OM3, OM4	Black	1,000
FAOSQABK	MPO- Flangeless Footprint Adaptor, Up to Down	OM1, OM2 OM3, OM4	Black	1,000
FAOSQBBK	MPO- Flangeless Footprint Adaptor, Up to Up	OM1, OM2 OM3, OM4	Black	1,000
FAPSFABK	MTP- Flange adaptor, Up to Down	OM1, OM2 OM3, OM4	Black	1,000
FAPSFBGY	MTP- Flange adaptor, Up to Up	OM1, OM2 OM3, OM4	Gray	1,000

Hybrid Adaptor

A



B



C

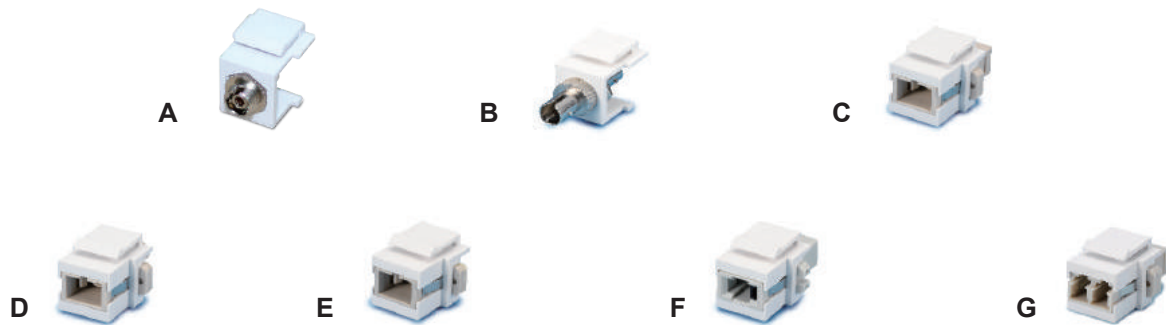


D



Part Number	Part Description	Type	Boot	Ctn. Qty.
A. ST to FC Simplex				
FAHTFSFMIV	ST to FC- Flange Simplex MM adaptor with phosphor bronze sleeve	OM1, OM2 OM3, OM4	Ivory	1,000
FAHTFSFSBL	ST to FC- Flange Simplex SM adaptor with zirconia ceramic sleeve	OS1, OS2	Blue	1,000
B. ST to SC Simplex				
FAHTCSFMIV	ST to SC- Flange Simplex MM adaptor with phosphor bronze sleeve	OM1, OM2 OM3, OM4	Ivory	1,000
FAHTCSFSBL	ST to SC- Flange Simplex SM adaptor with zirconia ceramic sleeve	OS1, OS2	Blue	1,000
C. SC to FC Simplex				
FAHCFSFMIV	SC to FC- Flange Simplex MM adaptor with phosphor bronze sleeve	OM1, OM2 OM3, OM4	Ivory	1,000
FAHCFSFSBL	SC to FC- Flange Simplex SM adaptor with zirconia ceramic sleeve	OS1, OS2	Blue	1,000
D. ST to SC Duplex				
FAHTCDFMIV	ST to SC- Flange Duplex MM adaptor with phosphor bronze sleeve	OM1, OM2 OM3, OM4	Ivory	500
FAHTCDFSBL	ST to SC- Flange Duplex SM adaptor with zirconia ceramic sleeve	OS1, OS2	Blue	500

Adaptor Modular Insert



- Convenient to use in permanent or temporary applications
- Adaptor modular inserts snap into modular panels, surface mounted boxes and flush outlets.
- ST, FC, SC, and LC are available in phosphor bronze and zirconia ceramic sleeves.
- Blue color is available for identifying single-mode applications.

Part Number	Part Description	Type	Boot	Ctn. Qty.
A. FC feed thru modular insert				
FAMFFSDMMT	FC Modular Adaptor,Simplex,MM with PB Sleeve	OM1, OM2 OM3, OM4	Metal	500
FAMFFSDSMT	FC Modular Adaptor,Simplex,SM with Zr. Sleeve	OS1,OS2	Metal	500
B. ST feed thru modular insert				
FAMTTSTMMT	ST Modular Adaptor,Simplex,MM with PB Sleeve	OM1, OM2 OM3, OM4	Metal	500
FAMTTSTSMT	ST Modular Adaptor,Simplex,SM with Zr. Sleeve	OS1,OS2	Metal	500
C. SC feed thru modular insert				
FAMCCSFMIV	SC Modular Adaptor,Flange,Simplex,MM with PB Sleeve	OM1, OM2 OM3, OM4	Ivory	500
FAMCCSFTAQ	SC Modular Adaptor,Flange,Simplex,MM with Zr. Sleeve	OM3, OM4	Aqua	500
FAMCCSFVT	SC Modular Adaptor,Flange,Simplex,MM with Zr. Sleeve	OM3, OM4	Violet	500
FAMCCSFSBL	SC Modular Adaptor,Flange,Simplex,SM with Zr. Sleeve	OS1,OS2	Blue	500
FAMCCSFSGN	SC Modular Adaptor,Flange,Simplex,SM with Zr. Sleeve	OS1,OS2	Green	500
D. SC to ST feed thru modular insert				
FAMCTSFMIV	SC to ST Modular Adaptor, Flange,Simplex,MM with PB Sleeve	OM1, OM2 OM3, OM4	Ivory	500
FAMCTSFSBL	SC to ST Modular Adaptor, Flange,Simplex,SM with Zr. Sleeve	OS1,OS2	Blue	500
E. SC to FC feed thru modular insert				
FAMCF SFMIV	SC to FC Modular Adaptor,Flange,Simplex,MM with PB Sleeve	OM1, OM2 OM3, OM4	Ivory	500
FAMCF SFSBL	SC to FC Modular Adaptor, Flange,Simplex,SM with Zr. Sleeve	OS1,OS2	Blue	500
F. MTRJ feed thru modular insert				
FAMJJSFNIV	MTRJ Modular Adaptor,Flange,Simplex,MM	OM1,OM2 OM3,OM4	Ivory	500
G. LC Duplex feed thru modular insert				
FAMLLDFMIV	LC Modular Adaptor,Flange,Duplex,MM with PB Sleeve	OM1,OM2 OM3,OM4	Ivory	500
FAMLLDFTAQ	LC Modular Adaptor,Flange,Duplex,MM with Zr. Sleeve	OM3,OM4	Aqua	500
FAMLLDFTVT	LC Modular Adaptor,Flange,Duplex,MM with Zr. Sleeve	OM3,OM4	Violet	500
FAMLLDFSBL	LC Modular Adaptor,Flange,Duplex,SM with Zr. Sleeve	OS1,OS2	Blue	500
FAMLLDFSGN	LC Modular Adaptor,Flange,Duplex,SM with Zr. Sleeve	OS1,OS2	Green	500
FAMLLDFSGN	LC Modular Adaptor,Flange,Duplex,SM with Zr. Sleeve	OS1,OS2	Green	500
FAMLLDLMIV	LC Modular Adaptor,Flangeless,Duplex,MM with PB Sleeve	OM1,OM2 OM3,OM4	Ivory	500

FIBER OPTIC SYSTEM

Fiber Cable Assembly Fiber Patch Cord & Pigtail

Fiber Pre-Terminated Cabling Performance

Connector Mated Pairs	MULTIMODE (OM3 & OM4)						SINGLE-MODE (OS1 & OS2)		
	Duplex Typical IL	Duplex Max IL	Duplex Max IL (Low-Loss)	12-fiber Standard Typical IL	12-fiber Standard Max IL	12-fiber Standard Max IL (Low-Loss)	Typical IL	Max IL	Low-Loss Max IL
LC	0.15	0.50	0.15	-	-	-	0.25	0.3	0.15
SC	0.20	0.50	0.15	-	-	-	0.25	0.3	0.15
MTP/MPO	-	-	-	0.4	0.5	0.35	0.3	0.75	0.35

MTP/MPO Modules & Harness	MULTIMODE (OM3 & OM4)			SINGLE-MODE (OS1 & OS2)		
	12-fiber Standard Typical IL	12-fiber Standard Max IL	12-fiber Standard Max IL (Low-Loss)	Typical IL	Max IL	Low-Loss Max IL
LC	-	0.5	0.5	0.50	0.50	0.50
SC	-	0.5	0.5	0.50	0.50	0.50
MTP/MPO	0.4	0.5	0.35	0.60	0.75	0.35

Ordering Information

P/N: FPP **C** **E** **A** **AAAA** **05M** **OR**

Jacket	C	C= PVC	P= PVC OFNP	L= LSFRZH
Cable Type	E	B= 900um Simplex Loose Buffer	E= 2.0mm Simplex	I=2.0*4.2mm Zipcord
		C= 900um Simplex Tight Buffer	F=3.0mm Simplex	J= 3.0*6.0mm Zipcord
Fiber Mode	A	A=MM, 62.5/125um	D=OM3, 50/125um C=10G, 50/125um	F=SM(G652D) 9/125um
		B=MM, 50/125um	E=OM4, 50/125um	H=SM(G657A2) 9/125um
		C=10G, 50/125um		
Connectors: A&B	AAAA	AA: FC One Piece (MM)	DA: LC (MM)	FA: MTRJ (MM)
		AB: FC One Piece (MM Low Loss)	DB: LC (MM Low Loss)	FB: MTRJ (MM Low Loss)
		AC: FC One Piece (SM SPC)	DC: LC (SM SPC)	FC: MTRJ (SM)
		AD: FC One Piece (SM UPC)	DD: LC (SM UPC)	FD: MTRJ+Guide Pin (MM)
		AE: FC One Piece (SM APC)	DE: LC (SM APC)	FE: MTRJ+Guide Pin (MM Low Loss)
		BA: ST (MM)	DF: LC w/Clip (MM)	FF: MTRJ+Guide Pin (SM)
		BB: ST (MM Low Loss)	DG: LC w/Clip (MM Low Loss)	IA: LC (MM) Short Boot
		BC: ST (SM SPC)	DH: LC w/Clip (SM SPC)	IB: LC (MM Low Loss) Short Boot
		BD: ST (SM UPC)	DI: LC w/Clip (SM UPC)	IC: LC (SM SPC) Short Boot
		CA: SC II (MM)	DJ: LC w/Clip (SM APC)	ID: LC (SM UPC) Short Boot
		CB: SC II (MM Low Loss)	EF:LC w/Clip (MM) Uniboot	IE: LC (SM APC) Short Boot
		CC: SC II (SM SPC)	EG: LC w/Clip (MM Low Loss) Uniboot	IF: LC w/Clip (MM) Short Boot
		CD: SC II (SM UPC)	EH: LC w/Clip (SM SPC) Uniboot	IG: LC w/Clip (MM Low Loss) Short Boot
		CE: SC II (SM APC)	EI: LC w/Clip (SM UPC) Uniboot	IH: LC w/Clip (SM) Short Boot
		CF: SC II w/Clip (MM)	EJ: LC w/Clip (SM APC) Uniboot	II: LC w/Clip (SM SPC) Short Boot
		CG: SC II w/Clip (MM Low Loss)		IJ: LC w/Clip (SM APC) Short Boot
		CH: SC II w/Clip (SM SPC)		
CI: SC II w/Clip (SM UPC)				
CJ: SC II w/Clip (SM APC)				
Length	05M	01M=1 meteter, 02M=2 meters		
Color	OR	WH=White	GY=Gray	OR=Orange
		YL=Yellow	AQ=Aqua	VT=Violet

ST Patch Cord

A

B

C


Part Number	Part Description	Cable Color
A. ST Patch Cord-Pigtail		
FPPCCFBC0001MWH	ST/SPC Pigtail,PVC,Simplex,SM G652D 9/125um,0.9mm Tight Buffer,1M	White
FPPCCHBC0001MWH	ST/SPC Pigtail,PVC,Simplex,SM G657A2 9/125um,0.9mm Tight Buffer,1M	White
FPPCCABA0001MWH	ST/PC Pigtail,PVC,Simplex,OM1 62.5/125um,0.9mm Tight Buffer,1M	White
FPPCCBBA0001MWH	ST/PC Pigtail,PVC,Simplex,OM2 50/125um,0.9mm Tight Buffer,1M	White
B. ST Patch Cord-Simplex		
FPPCEFBCBC01MYL	ST/SPC Patch Cord,PVC,Simplex,SM G652D 9/125um, 2.0mm,1M	Yellow
FPPCEHBCBC01MYL	ST/SPC Patch Cord,PVC,Simplex,SM G657A2 9/125um, 2.0mm,1M	Yellow
FPPCEABABA01MOR	ST/PC Patch Cord,PVC,Simplex,OM1 62.5/125um, 2.0mm,1M	Orange
FPPCEBBABA01MOR	ST/PC Patch Cord,PVC,Simplex,OM2 50/125um,2.0mm,1M	Orange
FPPCEDBABA01MAQ	ST/PC Patch Cord,PVC,Simplex,OM3 50/125um,2.0mm,1M	Aqua
FPPCEEBABA01MAQ	ST/PC Patch Cord,PVC,Simplex,OM4 50/125um,2.0mm,1M	Aqua
C. ST Patch Cord-Duplex		
FPPCIFBCBC01MYL	ST/SPC Patch Cord,PVC,Duplex,SM G652D 9/125um, 2.0mm Zipcord,1M	Yellow
FPPCIHBCBC01MYL	ST/SPC Patch Cord,PVC,Duplex,SM G657A2 9/125um, 2.0mm Zipcord,1M	Yellow
FPPCIABABA01MOR	ST/PC Patch Cord,PVC,Duplex,OM1 62.5/125um,2.0mm Zipcord, 1M	Orange
FPPCIBBABA01MOR	ST/PC Patch Cord,PVC,Duplex,OM2 50/125um,2.0mm Zipcord, 1M	Orange
FPPCIDBABA01MAQ	ST/PC Patch Cord,PVC,Duplex,OM3 50/125um,2.0mm Zipcord, 1M	Aqua
FPPCIEBABA01MAQ	ST/PC Patch Cord,PVC,Duplex,OM4 50/125um,2.0mm Zipcord, 1M	Aqua

FC Patch Cord

A

B

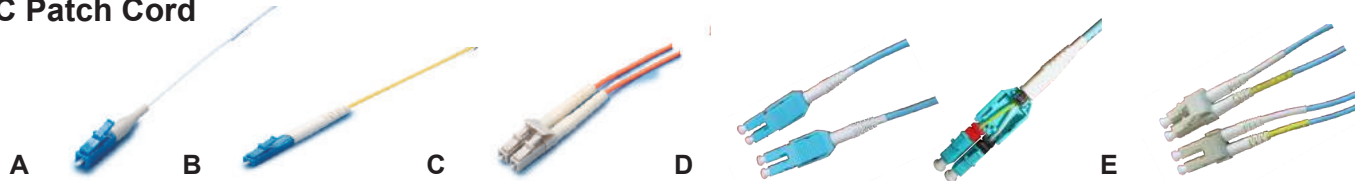
C


Part Number	Part Description	Cable Color
A. FC Patch Cord-Pigtail		
FPPCCFAC0001MWH	FC/SPC Pigtail,PVC,Simplex,SM G652D 9/125um,0.9mm Tight Buffer,1M	White
FPPCCHAC0001MWH	FC/SPC Pigtail,PVC,Simplex,SM G657A2 9/125um,0.9mm Tight Buffer,1M	White
FPPCCFAE0001MWH	FC/APC Pigtail,PVC,Simplex,SM G652D 9/125um,0.9mm Tight Buffer,1M	White
FPPCCAAA0001MWH	FC/PC Pigtail,PVC,Simplex,OM1 62.5/125um,0.9mm Tight Buffer,1M	White
FPPCCBAA0001MWH	FC/PC Pigtail,PVC,Simplex,OM2 50/125um,0.9mm Tight Buffer,1M	White
B. FC Patch Cord-Simplex		
FPPCEFACAC01MYL	FC/SPC Patch Cord,PVC,Simplex,SM G652D 9/125um, 2.0mm,1M	Yellow
FPPCEHACAC01MYL	FC/SPC Patch Cord,PVC,Simplex,SM G657A2 9/125um, 2.0mm,1M	Yellow
FPPCEFAEAE01MYL	FC/APC Patch Cord,PVC,Simplex,SM G652D 9/125um, 2.0mm,1M	Yellow
FPPCEAAAAA01MOR	FC/PC Patch Cord,PVC,Simplex,OM1 62.5/125um, 2.0mm,1M	Orange
FPPCEBAAAA01MOR	FC/PC Patch Cord,PVC,Simplex,OM2 50/125um,2.0mm,1M	Orange
FPPCEDAAAA01MAQ	FC/PC Patch Cord,PVC,Simplex,OM3 50/125um,2.0mm,1M	Aqua
FPPCEAAAAA01MAQ	FC/PC Patch Cord,PVC,Simplex,OM4 50/125um,2.0mm,1M	Aqua
C. FC Patch Cord-Duplex		
FPPCIFACAC01MYL	FC/SPC Patch Cord,PVC,Duplex,SM G652D 9/125um, 2.0mm Zipcord,1M	Yellow
FPPCIHACAC01MYL	FC/SPC Patch Cord,PVC,Duplex,SM G657A2 9/125um, 2.0mm Zipcord,1M	Yellow
FPPCIFAEAE01MYL	FC/APC Patch Cord,PVC,Duplex,SM G652D 9/125um, 2.0mm Zipcord,1M	Yellow
FPPCIAAAAA01MOR	FC/PC Patch Cord,PVC,Duplex,OM1 62.5/125um,2.0mm Zipcord,1M	Orange
FPPCIBAAAA01MOR	FC/PC Patch Cord,PVC,Duplex,OM2 50/125um,2.0mm Zipcord,1M	Orange
FPPCIDAAAA01MAQ	FC/PC Patch Cord,PVC,Duplex,OM3 50/125um,2.0mm Zipcord,1M	Aqua
FPPCIEAAAA01MAQ	FC/PC Patch Cord,PVC,Duplex,OM4 50/125um,2.0mm Zipcord,1M	Aqua

* For other lengths (Meters), replace 01 before M with 02,03,05,07,10,15,20. Pigtailed color is available for Yellow (YL) and patch cords' color is available for Gray (GY). Cable type is available for 3.0mm for simplex and duplex(Zipcord).For OFNP or LSFRZH jacket, replace C after P with P(OFNP) or L(LSFRZH).

FIBER OPTIC SYSTEM

LC Patch Cord



Part Number	Part Description	Cable Color
A. LC Patch Cord-Pigtail		
FPPCCFDC0001MWH	LC/SPC Pigtail,PVC,Simplex,SM G652D 9/125um,0.9mm Tight Buffer,1M	White
FPPCCHDC0001MWH	LC/SPC Pigtail,PVC,Simplex,SM G657A2 9/125um,0.9mm Tight Buffer,1M	White
FPPCCFDE0001MWH	LC/APC Pigtail,PVC,Simplex,SM G652D 9/125um,0.9mm Tight Buffer,1M	White
FPPCCADA0001MWH	LC/PC Pigtail,PVC,Simplex,OM1 62.5/125um,0.9mm Tight Buffer,1M	White
FPPCCBDA0001MWH	LC/PC Pigtail,PVC,Simplex,OM2 50/125um,0.9mm Tight Buffer,1M	White
FPPCCDDA0001MWH	LC/PC Pigtail,PVC,Simplex,OM3 50/125um,0.9mm Tight Buffer,1M	White
FPPCCEDA0001MWH	LC/PC Pigtail,PVC,Simplex,OM4 50/125um,0.9mm Tight Buffer,1M	White
B. LC Patch Cord-Simplex		
FPPCEFDCC01MYL	LC/SPC Patch Cord,PVC,Simplex,SM G652D 9/125um,2.0mm,1M	Yellow
FPPCEHDC01MYL	LC/SPC Patch Cord,PVC,Simplex,SM G657A2 9/125um,2.0mm,1M	Yellow
FPPCEFDE01MYL	LC/APC Patch Cord,PVC,Simplex,SM G652D 9/125um,2.0mm,1M	Yellow
FPPCEADADA01MOR	LC/PC Patch Cord,PVC,Simplex,OM1 62.5/125um,2.0mm,1M	Orange
FPPCEBDADA01MOR	LC/PC Patch Cord,PVC,Simplex,OM2 50/125um,2.0mm,1M	Orange
FPPCEDDADA01MAQ	LC/PC Patch Cord,PVC,Simplex,OM3 50/125um,2.0mm,1M	Aqua
FPPCEEDADA01MAQ	LC/PC Patch Cord,PVC,Simplex,OM4 50/125um,2.0mm,1M	Aqua
C. LC Patch Cord-Duplex		
FPPCIFDHDH01MYL	LC/SPC Patch Cord,PVC,Duplex,SM G652D 9/125um,2.0mm Zipcord,w/Clip,1M	Yellow
FPPCIHDHDH01MYL	LC/SPC Patch Cord,PVC,Duplex,SM G657A2 9/125um,2.0mm Zipcord,w/Clip,1M	Yellow
FPPCIFDJDJ01MYL	LC/APC Patch Cord,PVC,Duplex,SM G652D 9/125um,2.0mm Zipcord,w/Clip,1M	Yellow
FPPCIADFDF01MOR	LC/PC Patch Cord,PVC,Duplex,OM1 62.5/125um,2.0mm Zipcord,w/Clip,1M	Orange
FPPCIBDFDF01MOR	LC/PC Patch Cord,PVC,Duplex,OM2 50/125um,2.0mm Zipcord,w/Clip,1M	Orange
FPPCIDDFDF01MAQ	LC/PC Patch Cord,PVC,Duplex,OM3 50/125um,2.0mm Zipcord,w/Clip,1M	Aqua
FPPCIEDDFDF01MAQ	LC/PC Patch Cord,PVC,Duplex,OM4 50/125um,2.0mm Zipcord,w/Clip,1M	Aqua
D. LC Patch Cord-Uniboot		
FPPLMFIH01MYL	LC/UPC Uniboot Patch Cord,LSFRZH,Duplex,SM G652D 9/125um,3.0mm Round,w/Clip,1M	Yellow
FPPLMH01MYL	LC/UPC Uniboot Patch Cord,LSFRZH,Duplex,SM G657A2 9/125um,3.0mm Round,w/Clip,1M	Yellow
FPPLMFIJ01MYL	LC/APC Uniboot Patch Cord,LSFRZH,Duplex,SM G652D 9/125um,3.0mm Round,w/Clip,1M	Yellow
FPPLMAIF01MOR	LC/PC Uniboot Patch Cord,LSFRZH,Duplex,OM1 62.5/125um,3.0mm Round,w/Clip,1M	Orange
FPPLMBIF01MOR	LC/PC Uniboot Patch Cord,LSFRZH,Duplex,OM2 50/125um,3.0mm Round,w/Clip,1M	Orange
FPPLMDIF01MAQ	LC/PC Uniboot Patch Cord,LSFRZH,Duplex,OM3 50/125um,3.0mm Round,w/Clip,1M	Aqua
FPPLMEIF01MAQ	LC/PC Uniboot Patch Cord,LSFRZH,Duplex,OM4 50/125um,3.0mm Round,w/Clip,1M	Aqua
E. LC Patch Cord-Short Boot		
FPPCEFIC01MYL	LC/SPC Patch Cord,PVC,Simplex,SM G652D 9/125um,2.0mm,Short Boot,1M	Yellow
FPPCEFIE01MYL	LC/APC Patch Cord,PVC,Simplex,SM G652D 9/125um,2.0mm,Short Boot,1M	Yellow
FPPCEAIA01MOR	LC/PC Patch Cord,PVC,Simplex,OM1 62.5/125um,2.0mm,Short Boot,1M	Orange
FPPCEBIA01MOR	LC/PC Patch Cord,PVC,Simplex,OM2 50/125um,2.0mm,Short Boot,1M	Orange
FPPCEDIA01MAQ	LC/PC Patch Cord,PVC,Simplex,OM3 50/125um,2.0mm,Short Boot,1M	Aqua
FPPCEEIA01MAQ	LC/PC Patch Cord,PVC,Simplex,OM4 50/125um,2.0mm,Short Boot,1M	Aqua
FPPCIFIH01MYL	LC/SPC Patch Cord,PVC,Duplex,SM G652D 9/125um,2.0mm Zipcord,Short Boot,w/Clip,1M	Yellow
FPPCIFIJ01MYL	LC/APC Patch Cord,PVC,Duplex,SM G652D 9/125um,2.0mm Zipcord,Short Boot,w/Clip,1M	Yellow
FPPCIAIF01MOR	LC/PC Patch Cord,PVC,Duplex,OM1 62.5/125um,2.0mm Zipcord,Short Boot,w/Clip,1M	Orange
FPPCIBIF01MOR	LC/PC Patch Cord,PVC,Duplex,OM2 50/125um,2.0mm Zipcord,Short Boot,w/Clip,1M	Orange
FPPCIDIF01MAQ	LC/PC Patch Cord,PVC,Duplex,OM3 50/125um,2.0mm Zipcord,Short Boot w/Clip,1M	Aqua
FPPCIEIF01MAQ	LC/PC Patch Cord,PVC,Duplex,OM4 50/125um,2.0mm Zipcord,Short Boot w/Clip,1M	Aqua

SC Patch Cord



Part Number	Part Description	Cable Color
A. SC Patch Cord-Pigtail		
FPPCCFCC0001MWH	SC/SPC Pigtail,PVC,Simplex,SM G652D 9/125um,0.9mm Tight Buffer,1M	White
FPPCCCHCC0001MWH	SC/SPC Pigtail,PVC,Simplex,SM G657A2 9/125um,0.9mm Tight Buffer,1M	White
FPPCCFCE0001MWH	SC/APC Pigtail,PVC,Simplex,SM G652D 9/125um,0.9mm Tight Buffer,1M	White
FPPCCACA0001MWH	SC/PC Pigtail,PVC,Simplex,OM1 62.5/125um,0.9mm Tight Buffer,1M	White
FPPCCBCA0001MWH	SC/PC Pigtail,PVC,Simplex,OM2 50/125um,0.9mm Tight Buffer,1M	White
FPPCCDCA0001MWH	SC/PC Pigtail,PVC,Simplex,OM3 50/125um,0.9mm Tight Buffer,1M	White
FPPCCCECA0001MWH	SC/PC Pigtail,PVC,Simplex,OM4 50/125um,0.9mm Tight Buffer,1M	White
B. SC Patch Cord-Simplex		
FPPCEFC0001MYL	SC/SPC Patch Cord,PVC,Simplex,SM G652D 9/125um, 2.0mm,1M	Yellow
FPPCEH0001MYL	SC/SPC Patch Cord,PVC,Simplex,SM G657A2 9/125um, 2.0mm,1M	Yellow
FPPCEFC0001MYL	SC/APC Patch Cord,PVC,Simplex,SM G652D 9/125um, 2.0mm,1M	Yellow
FPPCEAC001MOR	SC/PC Patch Cord,PVC,Simplex,OM1 62.5/125um, 2.0mm,1M	Orange
FPPCEBC001MOR	SC/PC Patch Cord,PVC,Simplex,OM2 50/125um,2.0mm,1M	Orange
FPPCEDC001MAQ	SC/PC Patch Cord,PVC,Simplex,OM3 50/125um,2.0mm,1M	Aqua
FPPCEEC001MAQ	SC/PC Patch Cord,PVC,Simplex,OM4 50/125um,2.0mm,1M	Aqua
C. SC Patch Cord-Duplex		
FPPCIF0001MYL	SC/SPC Patch Cord,PVC,Duplex,SM G652D 9/125um, 2.0mm Zipcord,w/Clip,1M	Yellow
FPPCIH0001MYL	SC/SPC Patch Cord,PVC,Duplex,SM G657A2 9/125um, 2.0mm Zipcord,w/Clip,1M	Yellow
FPPCIFC001MYL	SC/APC Patch Cord,PVC,Duplex,SM G652D 9/125um, 2.0mm Zipcord,w/Clip,1M	Yellow
FPPCIAC001MOR	SC/PC Patch Cord,PVC,Duplex,OM1 62.5/125um,2.0mm Zipcord,w/Clip,1M	Orange
FPPCIBC001MOR	SC/PC Patch Cord,PVC,Duplex,OM2 50/125um,2.0mm Zipcord,w/Clip,1M	Orange
FPPCIDC001MAQ	SC/PC Patch Cord,PVC,Duplex,OM3 50/125um,2.0mm Zipcord,w/Clip,1M	Aqua

* For other lengths (Meters), replace 01 before M with 02,03,05,07,10,15,20. Pigtails' color is available for Yellow (YL) and patch cords' color is available for Gray (GY). Cable type is available for 3.0mm for simplex and duplex(Zipcord). For OFNP or LSFRZH jacket, replace C after P with P(OFNP) or L(LSFRZH).

MTRJ Patch Cord



Part Number	Part Description	Cable Color
MTRJ Patch Cord-Female		
FPPCHFFC001MYL	MTRJ/SPC Patch Cord,PVC,Duplex,SM G652D 9/125um,1.8mm,1M	Yellow
FPPCHHFC001MYL	MTRJ/SPC Patch Cord,PVC,Duplex,SM G657A2 9/125um,1.8mm,1M	Yellow
FPPCHAF001MOR	MTRJ/PC Patch Cord,PVC,Duplex,OM1 62.5/125um,1.8mm,1M	Orange
FPPCHBF001MOR	MTRJ/PC Patch Cord,PVC,Duplex,OM2 50/125um,1.8mm,1M	Orange
MTRJ Patch Cord-Male		
FPPCHFFF001MYL	MTRJ/SPC Patch Cord,PVC,Duplex,SM G652D 9/125um,1.8mm,w/Guide Pin,1M	Yellow
FPPCHHFFF001MYL	MTRJ/SPC Patch Cord,PVC,Duplex,SM G657A2 9/125um,1.8mm,w/Guide Pin,1M	Yellow
FPPCHAFDF001MOR	MTRJ/PC Patch Cord,PVC,Duplex,OM1 62.5/125um,1.8mm,w/Guide Pin,1M	Orange
FPPCHBDFDF001MOR	MTRJ/PC Patch Cord,PVC,Duplex,OM2 50/125um,1.8mm,w/Guide Pin,1M	Orange

* For other lengths (Meters), replace 01 before M with 02,03,05,07,10,15,20. Patch cords' color is available for Gray (GY). For OFNP or LSFRZH jacket, replace C after P with P(OFNP) or L(LSFRZH).

FIBER OPTIC SYSTEM

MTP/MPO Array Cable

MTP and MPO maximize the capacity in data center, increasing fiber density on fiber shelves and faceplates and also improving and simplifying routing.



- Connectors: MTP or MPO in male or female
- Cable: 8 or 12 fibers in flat or round cable (24 fibers TBD)
- Jacket: PVC, PVC OFNP or LSFRZH
- Support A,B or C Polarity Method
- Compliance OM2, OM3, OM4, OS1/OS2
- Bend insensitive fibers (G567A2) available for selection

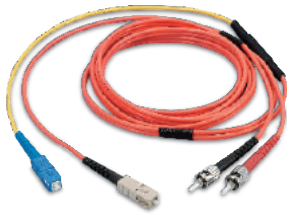
Part Number	Part Description	Cable Color	MPO/MTP Color
MPO(F) to MPO(F) Array			
FPCCFFBCAC01MYL	MPO/APC Array Cable,PVC,12C 3.0mm Round Cable,SM G652D 9/125um,Method A,1M	Yellow	Green
FPCCFHBCAC01MYL	MPO/APC Array Cable,PVC,12C 3.0mm Round Cable,SM G657A2 9/125um,Method A,1M	Yellow	Green
FPCCFFBDAD01MYL	MPO/APC Low Loss Array Cable,PVC,12C 3.0mm Round Cable,SM G652D 9/125um,Method A,1M	Yellow	Yellow
FPCCFHBDAD01MYL	MPO/APC Low Loss Array Cable,PVC,12C 3.0mm Round Cable,SM G657A2 9/125um,Method A,1M	Yellow	Yellow
FPCCFCBAAA01MOR	MPO Array Cable,PVC,12C 3.0mm Round Cable,10G 50/125um,Method A,1M	Orange	Ivory
FPCCFDBAAA01MAQ	MPO Array Cable,PVC,12C 3.0mm Round Cable,OM3 50/125um,Method A,1M	Aqua	Aqua
FPCCFDBBAB01MAQ	MPO Low Loss Array Cable,PVC,12C 3.0mm Round Cable,OM3 50/125um,Method A,1M	Aqua	Aqua
FPCCFEBAAA01MAQ	MPO Array Cable,PVC,12C 3.0mm Round Cable,OM4 50/125um,Method A,1M	Aqua	Aqua
FPCCFEBBAB01MAQ	MPO Low Loss Array Cable,PVC,12C 3.0mm Round Cable,OM4 50/125um,Method A,1M	Aqua	Yellow
MPO(F) to MPO(M) Array			
FPCCFFBCAG01MYL	MPO/APC Array Cable,PVC,12C 3.0mm Round Cable,SM G652D 9/125um,w/ Guide Pin,Method A,1M	Yellow	Green
FPCCFHBCAG01MYL	MPO/APC Array Cable,PVC,12C 3.0mm Round Cable,SM G657A2 9/125um,w/ Guide Pin,Method A,1M	Yellow	Green
FPCCFFBDAH01MYL	MPO/APC Low Loss Array Cable,PVC,12C 3.0mm Round Cable,SM G652D 9/125um,w/ Guide Pin,Method A,1M	Yellow	Yellow
FPCCFHBDAG01MYL	MPO/APC Low Loss Array Cable,PVC,12C 3.0mm Round Cable,SM G657A2 9/125um,w/ Guide Pin,Method A,1M	Yellow	Yellow
FPCCFCBAAE01MOR	MPO Array Cable,PVC,12C 3.0mm Round Cable,10G 50/125um,w/ Guide Pin,Method A,1M	Orange	Ivory
FPCCFDBAAE01MAQ	MPO Array Cable,PVC,12C 3.0mm Round Cable,OM3 50/125um,w/ Guide Pin,Method A,1M	Aqua	Aqua
FPCCFDBBAF01MAQ	MPO Low Loss Array Cable,PVC,12C 3.0mm Round Cable,OM3 50/125um,w/ Guide Pin,Method A,1M	Aqua	Aqua
FPCCFEBDAE01MAQ	MPO Array Cable,PVC,12C 3.0mm Round Cable,OM4 50/125um,w/ Guide Pin,Method A,1M	Aqua	Aqua
FPCCFEBDAF01MAQ	MPO Low Loss Array Cable,PVC,12C 3.0mm Round Cable,OM4 50/125um,w/ Guide Pin,Method A,1M	Aqua	Yellow

P/N: FPC **C** **F** **E** **B** **D** **A** **F** **01M** **AQ**

Jacket	C	C=Patch cord (PVC)	L=Patch cord (LSFRZH)	P= Patch cord (PVC OFNP)
Cable Type	F	C=8C Round Cable	F=12C 3.0mm Round Cable	
Connector	B	A=MTP	B=MPO	
Method	A	A=Method A	B=Method B	C=Method C
Length	01M	1M(01),2M(02),3M(03),5M(05),10M(10),15M(15)20M(20),25M(25)		

Mode Conditioning Patch Cord

A mode conditioning patch cord is a duplex multimode cord that has a small length of single mode fiber at the start of the transmission leg. The basic principle behind the cord is that you launch your laser into the small section of single mode fiber. The other end of the single mode fiber is coupled to multimode section of the cable launch condition more closely mimics a standard LED launch. The bonus is that you still retain the speed advantage of using a laser.



- Eliminating issues related to Differential Mode Delay (DMD)
- Compliant with IEEE 802.3z.
- Rugged Offset Closure with Consistent Offset
- Low Insertion Loss (< 0.5dB)

P/N: FPM **P** **JB** **09** **08** **01M**

Cable Jacket	P	P=PVC; L=LSOH
Cable Type	JB	JB: 50/125UM, 3.0mm; JC=62.5/125UM, 3.0mm
Connectors to Equipment (SM)	09	09: ST; 20: SC Simplex; 28: LC Simplex
Connectors to Plant (MM)	08	08: ST; 23: SC Duplex; LC Duplex
Length	01M	01M=1 Meter; 10F=10 Feet

Fiber Loop Back

Loop Back



- Connector: SC, LC and MTRJ
- Return Loss: PC≥35(db);SPC≥40(db); UPC≥50(db)
- Insertion Loss: MM≤0.5Max.; SM≤0.3Max

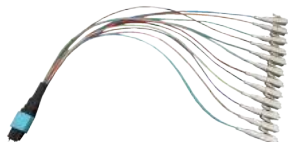
Part Number		Part Description	Ctn. Q'ty.
A	FLCM5	SC Loop Back, MM 50/125um	500
	FLCM6	SC Loop Back, MM 62.5/125um	500
	FLCS9P	SC Loop Back, SM 9/125um, PC Polish	500
	FLCS9S	SC Loop Back, SM 9/125um, SPC Polish	500
	FLCS9U	SC Loop Back, SM 9/125um, UPC Polish	500
B	FLLM5	LC Loop Back, MM 50/125um	500
	FLLM6	LC Loop Back, MM 62.5/125um	500
	FLLS9P	LC Loop Back, SM 9/125um, PC Polish	500
	FLLS9S	LC Loop Back, SM 9/125um, SPC Polish	500
	FLLS9U	LC Loop Back, SM 9/125um, UPC Polish	500
C	FLJM5	MTRJ Loop Back, MM 50/125um	500
	FLJM6	MTRJ Loop Back, MM 62.5/125um	500
	FLJS9P	MTRJ Loop Back, SM 9/125um, PC Polish	500
	FLJS9S	MTRJ Loop Back, SM 9/125um, SPC Polish	500
	FLJS9U	MTRJ Loop Back, SM 9/125um, UPC Polish	500

FIBER OPTIC SYSTEM

Pre-Terminated Fiber Harness

Direct Harness Assembly

The direct harness assembly is for installing inside plug & play fiber cassette module, assembled with 0.9mm cable to single-fiber connectors. It converts MTP/MPO male connector to simplex fiber connectors, such as SC or LC.



- MTP or MPO with Guide Pin
- ST, FC, SC or LC in forms of simplex channeling
- Cable: 12 fibers (24 fibers TBD)
- Compliance OM2, OM3, OM4, OS1/OS2

Part Number	Part Description	Length
MPO(M) to SC Direct Harness		
FPECDHBGCC30CCS	MPO/APC to SC/SPC Direct Harness Assembly,PVC,12C 0.9mm,SM G657A2 9/125um,w/Guide Pin	30cm
FPECDHBGCE30CCS	MPO/APC to SC/APC Direct Harness Assembly,PVC,12C 0.9mm,SM G657A2 9/125um,w/Guide Pin	30cm
FPECDDBECA30CCS	MPO to SC Direct Harness Assembly,PVC,12C 0.9mm, OM2 50/125um,w/Guide Pin	30cm
FPECDDBECA30CCS	MPO to SC Direct Harness Assembly, PVC,12C 0.9mm,OM3 50/125um,w/Guide Pin	30cm
FPECDDBFCB30CCS	MPO to SC Low Loss Direct Harness Assembly, PVC,12C 0.9mm,OM3 50/125um,w/Guide Pin	30cm
FPECDEBECA30CCS	MPO to SC Direct Harness Assembly, PVC,12C 0.9mm,OM4 50/125um,w/Guide Pin	30cm
FPECDEBF30CCS	MPO to SC Low Loss Direct Harness Assembly, PVC,12C 0.9mm,OM4 50/125um,w/Guide Pin	30cm
MPO(M) to LC Direct Harness		
FPECDHBGDC30CCS	MPO/APC to LC/SPC Direct Harness Assembly,PVC,12C 0.9mm,SM G657A2 9/125um,w/Guide Pin	30cm
FPECDHBGDE30CCS	MPO/APC to LC/APC Direct Harness Assembly,PVC,12C 0.9mm,SM G657A2 9/125um,w/Guide Pin	30cm
FPECDDBEDA30CCS	MPO to LC/PC Direct Harness Assembly,PVC,12C 0.9mm, OM2 50/125um,w/Guide Pin	30cm
FPECDDBEDA30CCS	MPO to LC Direct Harness Assembly, PVC,12C 0.9mm, OM3 50/125um,w/Guide Pin	30cm
FPECDDBFDB30CCS	MPO to LC Low Loss Direct Harness Assembly, PVC,12C 0.9mm, OM3 50/125um,w/Guide Pin	30cm
FPECDEBEDA30CCS	MPO to LC Direct Harness Assembly, PVC,12C 0.9mm, OM4 50/125um,w/Guide Pin	30cm
FPECDEBFDB30CCS	MPO to LC Low Loss Direct Harness Assembly, PVC,12C 0.9mm, OM4 50/125um,w/Guide Pin	30cm

P/N: FPECD **E** **B** F **DB** **30** CCS

Fiber Mode	E	B=OM2 50/125um; D=OM3 50/125um; E=OM4 50/125um; H=SM G657A2 9/125um
Connector A	B	A=MTP; B=MPO
Connector B	DB	AA=FC (MM); AB=FC (MM Low Loss); AC=FC (SM/SPC); AE=FC (SM/APC) BA=ST (MM); BB=ST (MM Low Loss); BC= ST (SM/SPC); BD=ST (SM/APC) CA=SC (MM); CB=SC (MM Low Loss); CC= SC (SM/SPC); CE=SC (SM/APC) DA=LC (MM); DB=LC (MM Low Loss); DC= LC (SM/SPC); DE=LC (SM/APC)
Length	30	30=30cm; 50=50cm

Y Cable (Harness)



- Migration 40G to 100G
- MTP/MPO Y cable: 2 to 1 / 3 to 1
- Cable: 24 fibers
- Compliance OM3, OM4, OS1/OS2
- Jacket: LSFRZH

Part Number	Part Description	Cable Color
MTP		
FPFPIFCCKK03MYL	2 to 1 MTP/APC Harness Assembly,LSFRZH,24C 3.0mm Round, SM G652D 9/125um,3M	Yellow
FPFPIDCAKI03MAQ	2 to 1 MTP Harness Assembly,LSFRZH,24C 3.0mm Round,OM3 50/125um,3M	Aqua
FPFPIDCAKA03MAQ	3 to 1 MTP Harness Assembly,LSFRZH,24C 3.0mm Round,OM3 50/125um,3M	Aqua
MPO		
FPFPIFDCLK03MYL	2 to 1 MPO/APC Harness Assembly,LSFRZH,24C 3.0mm Round, SM G652D 9/125um,3M	Yellow
FPFPIDDALI03MAQ	2 to 1 MPO Harness Assembly,LSFRZH,24C 3.0mm Round,OM3 50/125um	Aqua
FPFPIDDALA03MAQ	3 to 1 MPO Harness Assembly,LSFRZH,24C 3.0mm Round,OM3 9/125um	Aqua

Harness Assembly

Harness assembly is for transition from trunk backbone assemblies to fiber rack system. Fiber connector interfaces are available in ST, FC, SC, and LC in forms of simplex or duplex channeling.



- MTP or MPO with (or w/o) Guide Pin
- ST, FC, SC or LC in forms of simplex or duplex channeling
- Bend insensitive fibers (G567A2) available for selection
- Cable: 12 fibers (24 fibers TBD)
- Compliance OM2, OM3, OM4, OS1/OS2
- Jacket: PVC, PVC OFNP or LSFRZH
- Options for Pulling Eyes
- Staggered Breakout Legs

Part Number	Part Description	Cable Color
MPO(M) to SC Harness Assembly		
FPFCFFBGCH02MYL	MPO/APC to SC/SPC Harness Assembly,PVC,12C 3.0mm Round,SM G652D 9/125um,w/ Guide Pin,w/Clip,2M	Yellow
FPFCFFBGCJ02MYL	MPO/APC to SC/APC Harness Assembly,PVC,12C 3.0mm Round,SM G652D 9/125um,w/ Guide Pin,w/Clip,2M	Yellow
FPFCFHBGCJ02MYL	MPO/APC to SC/APC Harness Assembly,PVC,12C 3.0mm Round,SM G657A2 9/125um,w/ Guide Pin,w/Clip,2M	Yellow
FPFCFBBECE02MOR	MPO to SC Harness Assembly,PVC,12C 3.0mm Round,OM2 50/125um,w/Guide Pin,w/ Clip,2M	Orange
FPFCFBBECE02MAQ	MPO to SC Harness Assembly,PVC, 12C 3.0mm Round,OM3 50/125um,w/Guide Pin,w/ Clip,2M	Aqua
FPFCFEBECE02MAQ	MPO to SC Harness Assembly,PVC, 12C 3.0mm Round,OM4 50/125um,w/Guide Pin,w/ Clip,2M	Aqua
FPFCFEBFCG02MAQ	MPO to SC Low Loss Harness Assembly,PVC, 12C 3.0mm Round,OM4 50/125um,w/Guide Pin,w/Clip,2M	Aqua
MPO(M) to LC Harness Assembly		
FPFCFFBGDH02MYL	MPO/APC to LC/SPC Harness Assembly,PVC,12C 3.0mm Round,SM G652D 9/125um,w/ Guide Pin,w/Clip,2M	Yellow
FPFCFFBGDJ02MYL	MPO/APC to LC/APC Harness Assembly,PVC,12C 3.0mm Round,SM G652D 9/125um,w/ Guide Pin,w/Clip,2M	Yellow
FPFCFHBGDJ02MYL	MPO/APC to LC/APC Harness Assembly,PVC,12C 3.0mm Round,SM G657A2 9/125um,w/ Guide Pin,w/Clip,2M	Yellow
FPFCFBBEDF02MOR	MPO to LC Harness Assembly,PVC,12C 3.0mm Round,OM2 50/125um,w/Guide Pin,w/ Clip,2M	Orange
FPFCFBBEDF02MAQ	MPO to LC Harness Assembly,PVC, 12C 3.0mm Round,OM3 50/125um,w/Guide Pin,w/ Clip,2M	Aqua
FPFCFEBEDF02MAQ	MPO to LC Harness Assembly,PVC, 12C 3.0mm Round,OM4 50/125um,w/Guide Pin,w/ Clip,2M	Aqua
FPFCFEBFDG02MAQ	MPO to LC Low Loss Harness Assembly,PVC, 12C 3.0mm Round,OM4 50/125um,w/Guide Pin,w/Clip,2M	Aqua

P/N: FPF **C** **F** **E** **BF** **DG** **02** **MAQ**

Jacket	C	C=PVC; L=LSFRZH; P=PVC OFNP D=PVC End B Pulling Eye; M=LSFRZH End B Pulling Eye; Q=PVC OFNP End B Pulling Eye
Breakout Cable Type	F	A=8C Round Cable, 0.9mm Jacket; B=8C Round Cable, 2.0mm Jacket; C=8C Round Cable, 3.0mm Jacket D=12C Round Cable, 0.9mm Jacket; E=12C Round Cable, 2.0mm Jacket; F=12C Round Cable, 3.0mm Jacket
Fiber Type	E	B=MM, 50/125um; C=10G, 50/125um; D=OM3, 50/125um; E=OM4, 50/125um F=SM (G652D) 9/125um; H=SM (G657A2) 9/125um
Connector A	BF	AA=MTP(F); AB=MTP/MM Low Loss(F); AC=MTP/APC(F); AD=MTP/APC Low Loss(F) AE=MTP(M); AF=MTP/MM Low Loss(M); AG=MTP/APC(M); AH=MTP/APC Low Loss(M) BA=MPO(F); BB=MPO/MM Low Loss(F); BC=MPO/APC(F); BD= MPO/APC Low Loss(F) BE=MPO(M); BF=MPO/MM Low Loss(M); BG=MPO/APC(M); BH= MPO/APC Low Loss(M)
Connectors B	DG	AA=FC (MM); AB=FC (MM Low Loss); AC=FC (SM/SPC); AE=FC (SM/APC) BA=ST (MM); BB=ST (MM Low Loss); BC=ST (SM/SPC); BD=ST (SM/UPC) CF=SC (MM); CG=SC (MM Low Loss); CH=SC (SM/SPC); CJ=SC (SM/APC) DF=LC (MM); DG=LC (MM Low Loss); DH=LC (SM/SPC); DJ=LC (SM/APC)
Length	02	3M(03),5M(05),10M(10),15M(15),20M(20),25M,30M,40M,50M,60M,70M,80M,90M

FIBER OPTIC SYSTEM

Mini Break Out Cable

Mini break out cable is particular ideal for installation and connection of complex fiber optical infrastructures and also flexible for connections from one cabinet to another.



- Connectors: ST, FC, SC or LC
- Breakout cables: 4,6,8 or 12 cables
- Jackets: PVC, LSFRZH, or PVC OFNP
- Compliance OM1, OM2, OM3, OM4, OS1/OS2
- PC, SPC, UPC, and APC polish meet standard requirement
- Options for Pulling Eyes
- Bend insensitive fibers (G567A2) available for selection

Part Number	Part Description	Cable Color
ST Mini Break Out		
FPBCKFBCBC03MYL	ST/SPC Mini Break Out Cable,PVC,12C 2.0mm,SM G652D 9/125um,3M	Yellow
FPBCKHBCBC03MYL	ST/SPC Mini Break Out Cable,PVC,12C 2.0mm,SM G657A2 9/125um,3M	Yellow
FPBCKABABA03MOR	ST/PC Mini Break Out Cable,PVC,12C 2.0mm,OM1 62.5/125um,3M	Orange
FPBCKBBABA03MOR	ST/PC Mini Break Out Cable,PVC,12C 2.0mm,OM2 50/125um,3M	Orange
FPBCKDBABA03MAQ	ST/PC Mini Break Out Cable,PVC,12C 2.0mm,OM3 50/125um,3M	Aqua
FPBCKEBABA03MAQ	ST/PC Mini Break Out Cable,PVC,12C 2.0mm,OM4 50/125um,3M	Aqua
FC Mini Break Out		
FPBCKFACAC03MYL	FC/SPC Mini Break Out Cable,PVC,12C 2.0mm,SM G652D 9/125um,3M	Yellow
FPBCKHACAC03MYL	FC/SPC Mini Break Out Cable,PVC,12C 2.0mm,SM G657A2 9/125um,3M	Yellow
FPBCKFAEAE03MYL	FC/APC Mini Break Out Cable,PVC,12C 2.0mm,SM G652D 9/125um,3M	Yellow
FPBCKAAAAA03MOR	FC/PC Mini Break Out Cable,PVC,12C 2.0mm,OM1 62.5/125um,3M	Orange
FPBCKBAAAA03MOR	FC/PC Mini Break Out Cable,PVC,12C 2.0mm,OM2 50/125um,3M	Orange
FPBCKDAAAA03MAQ	FC/PC Mini Break Out Cable,PVC,12C 2.0mm,OM3 50/125um,3M	Aqua
FPBCKEAAAA03MAQ	FC/PC Mini Break Out Cable,PVC,12C 2.0mm,OM4 50/125um,3M	Aqua
SC Mini Break Out		
FPBCKFCHCH03MYL	SC/SPC Mini Break Out Cable,PVC,12C 2.0mm,SM G652D 9/125um,w/Clip,3M	Yellow
FPBCKKHCHCH03MYL	SC/SPC Mini Break Out Cable,PVC,12C 2.0mm,SM G657A2 9/125um,w/Clip,3M	Yellow
FPBCKFCJJC03MYL	SC/APC Mini Break Out Cable,PVC,12C 2.0mm,SM G652D 9/125um,w/Clip,3M	Yellow
FPBCKACFCF03MOR	SC/PC Mini Break Out Cable,PVC,12C 2.0mm,OM1 62.5/125um,w/Clip,3M	Orange
FPBCKBCFCF03MOR	SC/PC Mini Break Out Cable,PVC,12C 2.0mm,OM2 50/125um,w/Clip,3M	Orange
FPBCKDCFCF03MAQ	SC/PC Mini Break Out Cable,PVC,12C 2.0mm,OM3 50/125um,w/Clip,3M	Aqua
FPBCKECFCF03MAQ	SC/PC Mini Break Out Cable,PVC,12C 2.0mm,OM4 50/125um,w/Clip,3M	Aqua
LC Mini Break Out		
FPBCKFDHHDH03MYL	LC/SPC Mini Break Out Cable,PVC,12C 2.0mm,SM G652D 9/125um,w/Clip,3M	Yellow
FPBCKHDHHDH03MYL	LC/SPC Mini Break Out Cable,PVC,12C 2.0mm,SM G657A2 9/125um,w/Clip,3M	Yellow
FPBCKFDJDJ03MYL	LC/APC Mini Break Out Cable,PVC,12C 2.0mm,SM G652D 9/125um,w/Clip,3M	Yellow
FPBCKADDFD03MOR	LC/PC Mini Break Out Cable,PVC,12C 2.0mm,OM1 62.5/125um,w/Clip,3M	Orange
FPBCKBDFDF03MOR	LC/PC Mini Break Out Cable,PVC,12C 2.0mm,OM2 50/125um,w/Clip,3M	Orange
FPBCKDDDFD03MAQ	LC/PC Mini Break Out Cable,PVC,12C 2.0mm,OM3 50/125um,w/Clip,3M	Aqua
FPBCKDDGDG03MAQ	LC Low loss Mini Break Out Cable,PVC,12C 2.0mm,OM3 50/125um,w/Clip,3M	Aqua
FPBCKEDFD03MAQ	LC/PC Mini Break Out Cable,PVC,12C 2.0mm,OM4 50/125um,w/Clip,3M	Aqua
FPBCKEDGDG03MAQ	LC Low loss Mini Break Out Cable,PVC,12C 2.0mm,OM4 50/125um,w/Clip,3M	Aqua

P/N: FPB **C** **K** DGDG **03M** AQ

Jacket	C	C=Patch cord (PVC)	L=Patch cord (LSFRZH)	P= Patch cord (PVC OFNP)
		D=PVC End B Pulling Eye	M=LSFRZH Both End Pulling Eye	Q=PVC OFNP Both End Pulling Eye
Breakout Cable Type	K	B=4C2.0mm Jacket	E=6C2.0mm Jacket	
		H=8C2.0mm Jacket	K=12C2.0mm Jacket	
Length	03M	3M(03),5M(05),10M(10),15M(15),20M(20),25M(25)		

Pre-Terminated Fiber Trunk

Break Out Cable

Break out cables are for the purpose of extended length and backbone in data centers. They are suitable for connection from one cabinet/zone to another, such MDA and HAD.



- Connectors: ST, FC, SC or LC
- Breakout cables: 24,36 or 48 cables
- Breakout Cable Types: 900um, 2.0mm or 3.0mm
- Compliance OM1, OM2, OM3, OM4, OS1/OS2
- PC, SPC, UPC, and APC polish meet standard requirement
- Options for Pulling Eyes
- Bend insensitive fibers (G567A2) available for selection

Part Number	Part Description	Cable Color
ST Break Out		
FPKMEFBCBC03MYL	ST/SPC Break Out Cable,LSFRZH,24C 2.0mm,SM G652D 9/125um,Both End PullingEye,3M	Yellow
FPKMEHBCBC03MYL	ST/SPC Break Out Cable,LSFRZH,24C 2.0mm,SM G657A2 9/125um,Both End Pulling Eye,3M	Yellow
FPKMEABABA03MOR	ST/PC Break Out Cable,LSFRZH,24C 2.0mm,OM1 62.5/125um,Both End Pulling Eye,3M	Orange
FPKMEBBABA03MOR	ST/PC Break Out Cable,LSFRZH,24C 2.0mm,OM2 50/125um,Both End Pulling Eye,3M	Orange
FPKMEDBABA03MAQ	ST/PC Break Out Cable,LSFRZH,24C 2.0mm,OM3 50/125um,Both End Pulling Eye,3M	Aqua
FPKMEEBABA03MAQ	ST/PC Break Out Cable,LSFRZH,24C 2.0mm,OM4 50/125um,Both End Pulling Eye,3M	Aqua
FC Break Out		
FPKMEFACAC03MYL	FC/SPC Break Out Cable,LSFRZH,24C 2.0mm,SM G652D 9/125um,Both End Pulling Eye,3M	Yellow
FPKMEHACAC03MYL	FC/SPC Break Out Cable,LSFRZH,24C 2.0mm,SM G657A2 9/125um,Both End Pulling Eye,3M	Yellow
FPKMEAAAA03MOR	FC/PC Break Out Cable,LSFRZH,24C 2.0mm,OM1 62.5/125um,Both End Pulling Eye,3M	Orange
FPKMEBAAA03MOR	FC/PC Break Out Cable,LSFRZH,24C 2.0mm,OM2 50/125um,Both End Pulling Eye,3M	Orange
FPKMEDAAA03MAQ	FC/PC Break Out Cable,LSFRZH,24C 2.0mm,OM3 50/125um,Both End Pulling Eye,3M	Aqua
FPKMEEABAB03MAQ	FC/PC Break Out Cable,LSFRZH,24C 2.0mm,OM4 50/125um,Both End Pulling Eye,3M	Aqua
SC Break Out		
FPKMEFCHCH03MYL	SC/SPC Break Out Cable,LSFRZH,24C 2.0mm,SM G652D 9/125um,Both End Pulling Eye,3M	Yellow
FPKMEHCHCH03MYL	SC/SPC Break Out Cable,LSFRZH,24C 2.0mm,SM G657A2 9/125um,Both End Pulling Eye,3M	Yellow
FPKMEACFCF03MOR	SC/PC Break Out Cable,LSFRZH,24C 2.0mm,OM1 62.5/125um,Both End Pulling Eye,3M	Orange
FPKMEBCFCF03MOR	SC/PC Break Out Cable,LSFRZH,24C 2.0mm,OM2 50/125um,Both End Pulling Eye,3M	Orange
FPKMEDCFCF03MAQ	SC/PC Break Out Cable,LSFRZH,24C 2.0mm,OM3 50/125um,Both End Pulling Eye,3M	Aqua
FPKMEECFCF03MAQ	SC/PC Break Out Cable,LSFRZH,24C 2.0mm,OM4 50/125um,Both End Pulling Eye,3M	Aqua
LC Break Out		
FPKMEFDHHD03MYL	LC/SPC Break Out Cable,LSFRZH,24C 2.0mm,SM G652D 9/125um,Both End Pulling Eye,3M	Yellow
FPKMEHDHHD03MYL	LC/SPC Break Out Cable,LSFRZH,24C 2.0mm,SM G657A2 9/125um,Both End Pulling Eye,3M	Yellow
FPKMEADDFDF03MOR	LC/PC Break Out Cable,LSFRZH,24C 2.0mm,OM1 62.5/125um,Both End Pulling Eye,3M	Orange
FPKMEBDFDF03MOR	LC/PC Break Out Cable,LSFRZH,24C 2.0mm,OM2 50/125um,Both End Pulling Eye,3M	Orange
FPKMEDDFDF03MAQ	LC/PC Break Out Cable,LSFRZH,24C 2.0mm,OM3 50/125um,Both End Pulling Eye,3M	Aqua
FPKMEDDGDG03MAQ	LC Low loss Break Out Cable,LSFRZH,24C 2.0mm,OM3 50/125um,Both End Pulling Eye,3M	Aqua
FPKMEEDDFDF03MAQ	LC/PC Break Out Cable,LSFRZH,24C 2.0mm,OM4 50/125um,Both End Pulling Eye,3M	Aqua
FPKMEEDGDG03MAQ	LC Low Loss Break Out Cable,LSFRZH,24C 2.0mm,OM4 50/125um,Both End Pulling Eye,3M	Aqua

P/N: FP **K** M **E** E DGDG **03M** AQ

Breakout Cable	K	J=900um	K=2.0mm	L=3.0mm
Cables	E	24(E);36(F);48(G);72(H);96(I);144(J) fibers		
Length	03M	3M(03),5M(05),10M(10),15M(15),20M(20),25M(25),30M,40M,50M,60M,70M,80M,90M		

FIBER OPTIC SYSTEM

Trunk Harness Assembly

The trunk harness assembly is for backbone installation. MTP/MPO is in one end and the other end is single fiber connector interface available in ST,FC, SC or LC in forms of simplex or duplex channeling.



- MTP or MPO with (or w/o) Guide Pin
- Cable: 8,12,24,36,48,72,96 or 144 fibers
- ST, FC, SC or LC in forms of simplex or duplex channeling
- Breakout cable: 900um, 2.0mm or 3.0mm
- Jacket: PVC, PVC OFNP or LSFRZH
- Compliance OM2, OM3, OM4, OS1/OS2
- Bend insensitive fibers (G567A2) available for selection
- Staggered Breakout Legs

Part Number	Part Description	Cable Color
MPO(M) to SC Trunk Harness		
FPHDBFBGCH03MYL	MPO/APC to SC/SPC Trunk Harness,PVC,12C 2.0mm,SM G652D 9/125um,w/Guide Pin,w/Clip,End B Pulling Eye,3M	Yellow
FPHDBFBGCJ03MYL	MPO/APC to SC/APC Trunk Harness,PVC,12C 2.0mm,SM G652D 9/125um,w/Guide Pin,w/Clip,End B Pulling Eye,3M	Yellow
FPHDBHBGCJ03MYL	MPO/APC to SC/APC Trunk Harness,PVC,12C 2.0mm,SM G657A2 9/125um,w/Guide Pin,w/Clip,End B Pulling Eye,3M	Yellow
FPHDBBBECF03MOR	MPO to SC/PC Trunk Harness,PVC,12C 2.0mm,OM2 50/125um,w/Guide Pin,w/Clip,End B Pulling Eye,3M	Orange
FPHDBDBECF03MAQ	MPO to SC Trunk Harness,PVC, 12C 2.0mm,OM3 50/125um,w/Guide Pin,w/Clip,End B Pulling Eye,3M	Aqua
FPHDBEBECF03MAQ	MPO to SC Trunk Harness,PVC, 12C 2.0mm,OM4 50/125um,w/Guide Pin,w/Clip,End B Pulling Eye,3M	Aqua
FPHDBEBFCG03MAQ	MPO to SC Low Loss Trunk Harness,PVC, 12C 2.0mm,OM4 50/125um,w/Guide Pin,w/Clip,End B Pulling Eye,3M	Aqua
MPO(M) to LC Trunk Harness		
FPHDBFBGDH03MYL	MPO/APC to LC/SPC Trunk Harness,PVC,12C 2.0mm,SM G652D 9/125um,w/Guide Pin,w/Clip,End B Pulling Eye,3M	Yellow
FPHDBFBGDJ03MYL	MPO/APC to LC/APC Trunk Harness,PVC,12C 2.0mm,SM G652D 9/125um,w/Guide Pin,w/Clip,End B Pulling Eye,3M	Yellow
FPHDBHBGDJ03MYL	MPO/APC to LC/APC Trunk Harness,PVC,12C 2.0mm,SM G657A2 9/125um,w/Guide Pin,w/Clip,End B Pulling Eye,3M	Yellow
FPHDBBBEDF03MOR	MPO to LC/PC Trunk Harness,PVC,12C 2.0mm,OM2 50/125um,w/Guide Pin,w/Clip,End B Pulling Eye,3M	Orange
FPHDBDBEDF03MAQ	MPO to LC Trunk Harness,PVC, 12C 2.0mm,OM3 50/125um,w/Guide Pin,w/Clip,End B Pulling Eye,3M	Aqua
FPHDBEBEDF03MAQ	MPO to LC Trunk Harness,PVC, 12C 2.0mm,OM4 50/125um,w/Guide Pin,w/Clip,End B Pulling Eye,3M	Aqua
FPHDBEBFDG03MAQ	MPO to LC Low Loss Trunk Harness,PVC, 12C 2.0mm,OM4 50/125um,w/Guide Pin,w/Clip,End B Pulling Eye,3M	Aqua

P/N: FP **H** **D** **B** E **BF** **DG** **03** MAQ

Breakout Cable	H	G=900um; H=2.0mm; I=3.0mm
Jack	D	D=PVC End B Pulling Eye; M=LSFRZH End B Pulling Eye; Q=PVC OFNP End B Pulling Eye
Cable	B	A=8; B=12; C=24; D=36; E=48, F=72, G=96; H=144 fibers
Connector A	BF	AA=MTP(F); AB=MTP/MM Low Loss(F); AC=MTP/APC(F); AD=MTP/APC Low Loss(F) AE=MTP(M); AF=MTP/MM Low Loss(M); AG=MTP/APC(M); AH=MTP/APC Low Loss(M) BA=MPO(F); BB=MPO/MM Low Loss(F); BC=MPO/APC(F); BD= MPO/APC Low Loss(F) BE=MPO(M); BF=MPO/MM Low Loss(M); BG=MPO/APC(M); BH= MPO/APC Low Loss(M)
Connectors B	DG	AA=FC (MM); AB=FC (MM Low Loss); AC=FC (SM/SPC); AE=FC (SM/APC) BA=ST (MM); BB=ST (MM Low Loss); BC=ST (SM/SPC); BD=ST (SM/UPC) CF=SC (MM); CG=SC (MM Low Loss); CH=SC (SM/SPC); CJ=SC (SM/APC) DF=LC (MM); DG=LC (MM Low Loss); DH=LC (SM/SPC); DJ=LC (SM/APC)
Length	03	3M(03),5M(05),10M(10),15M(15),20M(20),25M,30M,40M,50M,60M,70M,80M,90M

MTP/MPO Trunk Cable



- Connectors: MTP or MPO in male or female
- Cable: 8,12,24,36,48,72,96 or 144 fibers
- Jacket: PVC, PVC OFNP or LSFRZH
- Support A,B or C Polarity Method
- Compliance OM2, OM3, OM4, OS1/OS2
- Options for Pulling Eyes
- Bend insensitive fibers (G567A2) available for selection

Part Number	Part Description	Cable Color	MPO/MTP Color
MPO(F) to MPO(F) Trunk Cable			
FPDECFBCAC03MYL	MPO/APC Trunk Cable,PVC,24C 9.0mm,SM G652D 9/125um,End B Pulling Eye,Method A,3M	Yellow	Green
FPDECHBCAC03MYL	MPO/APC Trunk Cable,PVC,24C 9.0mm,SM G657A2 9/125um,End B Pulling Eye,Method A,3M	Yellow	Green
FPDECFBDAD03MYL	MPO/APC Low Loss Trunk Cable,PVC,24C 9.0mm,SM G652D 9/125um,End B Pulling Eye,Method A,3M	Yellow	Yellow
FPDECHBDAD03MYL	MPO/APC Low Loss Trunk Cable,PVC,24C 9.0mm,SM G657A2 9/125um,End B Pulling Eye,Method A,3M	Yellow	Yellow
FPDECCBAAA03MOR	MPO Trunk Cable,PVC,24C 9.0mm,10G 50/125um,End B Pulling Eye,Method A,3M	Orange	Ivory
FPDECDBBAA03MAQ	MPO Trunk Cable,PVC,24C 9.0mm,OM3 50/125um,End B Pulling Eye,Method A,3M	Aqua	Aqua
FPDECDBBAB03MAQ	MPO Low Loss Trunk Cable,PVC,24C 9.0mm,OM3 50/125um,End B Pulling Eye,Method A,3M	Aqua	Yellow
FPDECEBAAA03MAQ	MPO Trunk Cable,PVC,24C 9.0mm,OM4 50/125um,End B Pulling Eye,Method A,3M	Aqua	Aqua
FPDECEBBAB03MAQ	MPO Low Loss Trunk Cable,PVC,24C 9.0mm,OM4 50/125um,End B Pulling Eye,Method A,3M	Aqua	Yellow
MPO(F) to MPO(M) Trunk Cable			
FPDECFBCAG03MYL	MPO/APC Trunk Cable,PVC,24C 9.0mm,SM G652D 9/125um,End B Pulling Eye,w/Guide Pin,Method A,3M	Yellow	Green
FPDECHBCAG03MYL	MPO/APC Trunk Cable,PVC,24C 9.0mm,SM G657A2 9/125um,End B Pulling Eye,w/Guide Pin,Method A,3M	Yellow	Green
FPDECFBDAH03MYL	MPO/APC Low Loss Trunk Cable,PVC,24C 9.0mm,SM G652D 9/125um,End B Pulling Eye,w/Guide Pin,Method A,3M	Yellow	Yellow
FPDECHBDAH03MYL	MPO/APC Low Loss Trunk Cable,PVC,24C 9.0mm,SM G657A2 9/125um,End B Pulling Eye,w/Guide Pin,Method A,3M	Yellow	Yellow
FPDECCBAAE03MOR	MPO Trunk Cable,PVC,24C 9.0mm,10G 50/125um,End B Pulling Eye,w/Guide Pin,Method A,3M	Orange	Ivory
FPDECDBFAE03MAQ	MPO Trunk Cable,PVC,24C 9.0mm,OM3 50/125um,End B Pulling Eye,w/Guide Pin,Method A,3M	Aqua	Aqua
FPDECDBBAF03MAQ	MPO Low Loss Trunk Cable,PVC,24C 9.0mm,OM3 50/125um,End B Pulling Eye,w/Guide Pin,Method A,3M	Aqua	Yellow
FPDECEBAAE03MAQ	MPO Trunk Cable,PVC,24C 9.0mm,OM4 50/125um,End B Pulling Eye,w/Guide Pin,Method A,3M	Aqua	Aqua
FPDECEBBAF03MAQ	MPO Low Loss Trunk Cable,PVC,24C 9.0mm,OM4 50/125um,End B Pulling Eye,w/Guide Pin,Method A,3M	Aqua	Yellow

P/N: FPD **E** **C** **E** **B** **B** **A** **F** **03M** **AQ**

Jacket	E	E=PVC End B Pulling Eye	N=LSFRZH End B Pulling Eye	R=PVC OFNP End B Pulling Eye
Cables	C	8(A),12(B),24(C),36(D),48(E),72(F),96(G) or 144(H) fibers		
Connector	B	A=MTP	B=MPO	
Polarity Method	A	A=Method A	B=Method B	C=Method C
Length	03M	3M(03),5M(05),10M(10),15M(15),20M(20),25M(25),30M(30),40M,50M,60M,70M,80M,90M		

FIBER OPTIC SYSTEM

Fiber Cable

Outdoor Loose Tude Steel Tape Fiber Cable



Features:

- FRP strength member
- Filler protect loose tube fiber
- Good moisture-resistance and ultra violet radiation resistant property

Construction:

- PE out sheath thickness : 2.0±0.2mm
- Loose tube diameter:2.2mm

Application:

- Adapted to Outdoor distribution
- Long distance and local area network communication
- Suitable for aerial pipeline laying method

International standards:

- IEC 61754
- TIA/EIA 604-5
- ITU-T G.652D

Technical Parameters:

Cable Count	Out Sheath Diameter	FRP Strength Member	Weight	Minimum Allowable (N)		Minimum Allowable Crush Load (N/100mm)		Ben Minimum ding Radius (MM)		Storage Temperature (oC)
	mm	mm		short term	long term	short term	long term	short term	long term	
24	10.2	1.6	100	1500	600	1000	300	20D	10D	-40+70
36	10.2	1.6	100	1500	600	1000	300	20D	10D	-40+70
42	10.2	1.6	100	1500	600	1000	300	20D	10D	-40+70
48	10.2	1.6	100	1500	600	1000	300	20D	10D	-40+70
60	10.2	1.6	100	1500	600	1000	300	20D	10D	-40+70
72	11	2.2	136	1500	600	1000	300	20D	10D	-40+70
96	12.3	3.5	159	1500	600	1000	300	20D	10D	-40+70
144	16	6.5	203	1500	600	1000	300	20D	10D	-40+70

Optical Performances:

Optical Transmission Performance	Singlemode(nm) 1310/1383/1550/1625	Multimode(nm) 850/1300			
	9/125um (OS2)	62.5/125um (OM1)	50/125 um (OM2)	50/125um (OM3)	50/125um (OM4)
Max.Attenuation (dB/km)	0.36/0.36/0.25/0.35	3.0/0.8	2.7/0.8	2.7/0.8	2.7/0.8
Typ.Attenuation (dB/km)	0.34/0.32/0.21/0.24	2.7/0.6	2.5/0.7	2.3/0.6	2.3/0.6
Bandwidth (MHz/km)	N/A	200/600	500/500	1500/500	3500/500
850nm laser bandwidth(MHz/km)	N/A	N/A	N/A	2000	4700
Numerical aperture	0.13±0.01	0.275±0.015	0.200±0.015	0.200±0.015	0.200±0.015

Cable Type	Fiber Count	Fiber Type	Length/Roll
FYOTSEF	24~144	Singlemode: G.652D Multimode: OM1, OM2, OM3 or OM4	1KM or 2KM

Fiber Distribution System

MTP/MPO Cassette

MTP/MPO Cassette (FDC Series)



A



B

- MTP or MPO with Guide Pin
- LGX and HD types for 12/24 fibers
- SC and LC adaptors in PC/SPC/UPC/APC polish
- A/B/C Polarity Methods
- LGX cassette size: 30 x 91.1 x 130mm
- Compliance OM2, OM3, OM4, OS1/OS2
- Low loss versions are available(TBD)

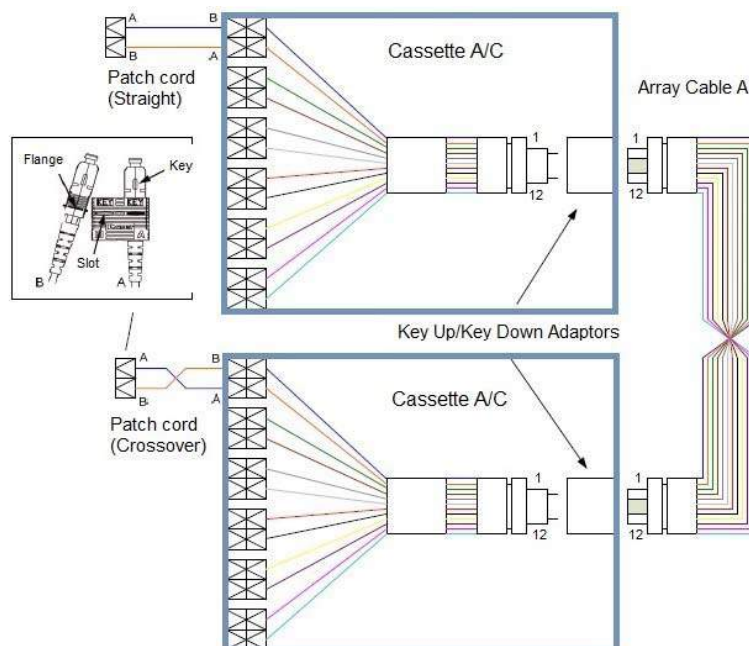
Description Type				Part Number				
Fibers	Method	MPO/MTP	Key	OM2 Ivory	OM3 Aqua	OM4 Aqua	SM Blue	SM/APC Green
A. LGX Type -LC								
12	A/C	MPO	Up-Down	--LOA12034LDIV	--LOA12035LDAQ	--LOA12036LDAQ	--LOA12040LDBL	--LOA12042LDGN
12	B	MPO	Up-Up	--LOB12034LDIV	--LOB12035LDAQ	--LOB12036LDAQ	--LOB12040LDBL	--LOB12042LDGN
12	B Distaled	MPO	Up-Up	--LOD12034LDIV	--LOD12035LDAQ	--LOD12036LDAQ	--LOD12040LDBL	--LOD12042LDGN
24	A/C	MPO	Up-Down	--LOA24034LQIV	--LOA24035LQAQ	--LOA24036LQAQ	--LOA24040LQBL	--LOA24042LQGN
24	B	MPO	Up-Up	--LOB24034LQIV	--LOB24035LQAQ	--LOB24036LQAQ	--LOB24040LQBL	--LOB24042LQGN
24	B Distaled	MPO	Up-Up	--LOD24034LQIV	--LOD24035LQAQ	--LOD24036LQAQ	--LOD24040LQBL	--LOD24042LQGN
LGX Type -SC								
12	A/C	MPO	Up-Down	--LOA12010CDIV	--LOA12011CDAQ	--LOA12012CDAQ	--LOA12016CDBL	--LOA12018CDGN
12	B	MPO	Up-Up	--LOB12010CDIV	--LOB12011CDAQ	--LOB12012CDAQ	--LOB12016CDBL	--LOB12018CDGN
12	B Distaled	MPO	Up-Up	--LOD12010CDIV	--LOD12011CDAQ	--LOD12012CDAQ	--LOD12016CDBL	--LOD12018CDGN
B. HD Type -LC								
24	A/C	MPO	Up-Down	--HOA24034LQIV	--HOA24035LQAQ	--HOA24036LQAQ	--HOA24040LQBL	--HOA24042LQGN
24	B	MPO	Up-Up	--HOB24034LQIV	--HOB24035LQAQ	--HOB24036LQAQ	--HOB24040LQBL	--HOB24042LQGN
24	B Distaled	MPO	Up-Up	--HOD24034LQIV	--HOD24035LQAQ	--HOD24036LQAQ	--HOD24040LQBL	--HOD24042LQGN

* For MTP cassette, replace O after L(or H) with P. (FDCLPA12034LDIV)

Polarity Methods

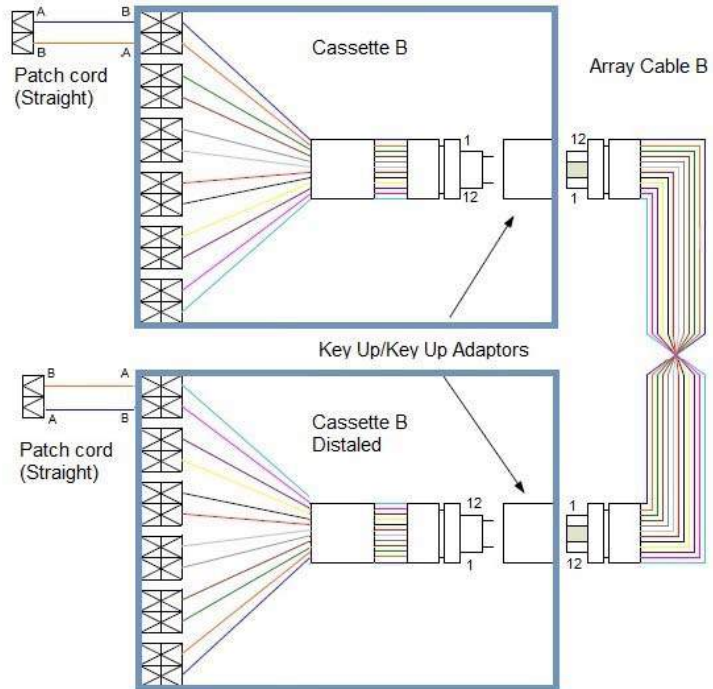
TIA-568-C defines three polarities; A, B and C. The main purpose is to guarantee the right bi-directional allocation.

Method A

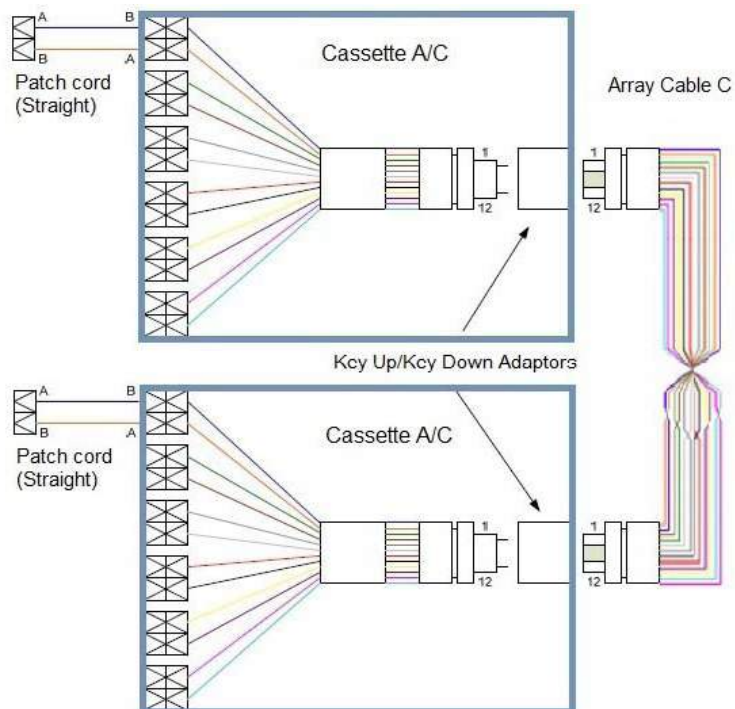


FIBER OPTIC SYSTEM

Method B



Method C



Rack Mount Enclosure

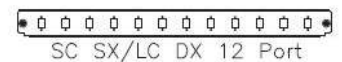
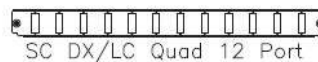
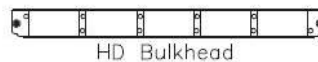
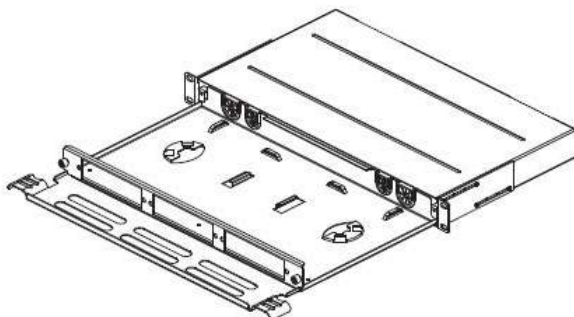
Fiber Rack Mount Enclosure,10D



- Mount up to 3 LGX/5 HD adaptor panels/cassettes
- Max.120-fiber (5xHD-Cassette) in 1U 19" enclosure
- Reduce installation cost and time by eliminating in-field termination and fusion splice
- Full front access, and easy for maintenance
- Optional front cable management bar

Part Number	Part Description	Ctn. Qty.
Fiber Rack Mount Enclosure,10D (without support bar)		
FDPTL3N	Fiber Rack Mount Enclosure,10 Inch,3 Port,LGX,w/o Support Bar	3
FDPTH5N	Fiber Rack Mount Enclosure,10 Inch,5 Port,HD,w/o Support Bar	3
FDPTA12CSN	Fiber Rack Mount Enclosure,10 Inch,12 Port,SC Simplex(12) / LC Duplex(24),w/o Support Bar	3
FDPTA12CDN	Fiber Rack Mount Enclosure,10 Inch,12 Port,SC Duplex(24) / LC Quad.(48),w/o Support Bar	3
FDPTA24TFN	Fiber Rack Mount Enclosure,10 Inch,12 Port,ST(12)/FC(12),w/o Support Bar	3
FDPTA24CSN	Fiber Rack Mount Enclosure,10 Inch,24 Port,SC Simplex(24) / LC Duplex(48),w/o Support Bar	3
FDPTA24CDN	Fiber Rack Mount Enclosure,10 Inch,24 Port,SC Duplex(48) / LC Quad.(96),w/o Support Bar	3
Fiber Rack Mount Enclosure,10D (with support bar)		
FDPTL3S	Fiber Rack Mount LGX Enclosure,10 Inch,3 Port,LGX,w/ Support Bar	3
FDPTH5S	Fiber Rack Mount Enclosure,10 Inch,5 Port,HD,w/ Support Bar	3
FDPTA12CSS	Fiber Rack Mount Enclosure,10 Inch,12 Port,SC Simplex(12) /LC Duplex(24),w/ Support Bar	3
FDPTA12CDS	Fiber Rack Mount Enclosure,10 Inch,12 Port,SC Duplex(24)/LC Quad.(48),w/ Support Bar	3
FDPTA24TFS	Fiber Rack Mount Enclosure,10 Inch,12 Port,ST(12)/FC(12),w/ Support Bar	3
FDPTA24CSS	Fiber Rack Mount Enclosure,10 Inch,24 Port,SC Simplex(12) /LC Duplex(24),w/ Support Bar	3
FDPTA24CDS	Fiber Rack Mount Enclosure,10 Inch,24 Port,SC Duplex(48)/LC Quad.(96),w/ Support Bar	3

*Optional Splice Tray, Spool Cable Routing, and Nylon Cable Gland



FIBER OPTIC SYSTEM

Advanced Fiber Rack Mount Enclosure, LGX/HD



A



B

- Mounting up to 3 LGX/5 HD adaptor panels/cassettes
- LGX system compatible
- Compliant with EIA 19" cabinet
- Sliding tray with front and rear stop glides
- Convertible ears support recessed depth, up to 60mm
- A variety of removable pane faces
- Optional cable management tray

Part Number		Part Description	Color
A	FDPAL3S	Advanced Fiber Rack Mount Enclosure for 3pcs LGX Cassettes, w/Support Bar	Black
	FDPAL3N	Advanced Fiber Rack Mount Enclosure for 3pcs LGX Cassettes, w/o Support Bar	Black
B	FDPAH5S	Advanced Fiber Rack Mount Enclosure for 5pcs HD Cassettes, w/Support Bar	Black
	FDPAH5N	Advanced Fiber Rack Mount Enclosure for 5pcs HD Cassettes, w/o Support Bar	Black
FDAAL-B		Blank LGX Adaptor Panel	Black
FDAAH-B		Blank HD Adaptor Panel	Black

HD Fiber Rack Mount Enclosure (FDP Series)



- High density design - Max. 144C LC fiber ports
- Compact size – 1U 19" with depth 130mm
- Adjustable ears – Max. 50mm recessed distance
- Optional rear cable management

Description Type				Part Number				
Fibers	Method	MPO/MTP	Key	OM2 Ivory	OM3 Aqua	OM4 Aqua	SM Blue	SM/APC Green
96	A/C	MPO	Up-Down	--HOA2034LQIV	--HOA22035LQAQ	--HOA22036LQAQ	--HOA22040LQBL	--HOA22042LQGN
96	B	MPO	Up-Up	--HOB2034LQIV	--HOB22035LQAQ	--HOB22036LQAQ	--HOB22040LQBL	--HOB22042LQGN
96	B Distaled	MPO	Up-Up	--HOD2034LQIV	--HOD22035LQAQ	--HOD22036LQAQ	--HOD22040LQBL	--HOD22042LQGN
144	A/C	MPO	Up-Down	--HOA3034LQIV	--HOA32035LQAQ	--HOA32036LQAQ	--HOA32040LQBL	--HOA32042LQGN
144	B	MPO	Up-Up	--HOB3034LQIV	--HOB32035LQAQ	--HOB32036LQAQ	--HOB32040LQBL	--HOB32042LQGN
144	B Distaled	MPO	Up-Up	--HOD3034LQIV	--HOD32035LQAQ	--HOD32036LQAQ	--HOD32040LQBL	--HOD32042LQGN

* For MTP adaptors, replace O after H with P. (FDPHPA2034LQIV)

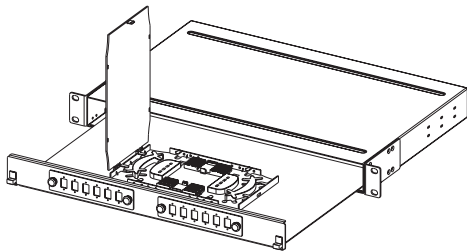
Fiber Rack Mount Enclosure



- Mount to standard 19" Rack
- 12/24/36/48 Ports
- Use for FC/ST/SC Simplex/SC Duplex/SC Footprint/LC Simplex/LC Duplex
- Accessory (Option): Splice Tray, Cable Routing, Grommet, Cable Ties, and Sleeve

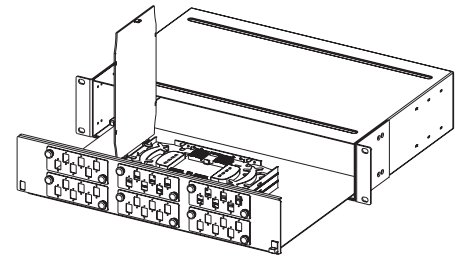
Part Number	Part Description	Color
FDP24FNSSBK	Fiber Rack Mount Enclosure, 24 Port, FC Square, w/Splice Tray	Black
FDP24TNTSBK	Fiber Rack Mount Enclosure, 24 Port, ST Thread, w/Splice Tray	Black
FDP24CSFSBK	Fiber Rack Mount Enclosure, 24 Port, SC Simplex, w/Splice Tray	Black
FDP24CDFSBK	Fiber Rack Mount Enclosure, 24 Port, SC Duplex Footprint, w/Splice Tray	Black
FDP24LDPSBK	Fiber Rack Mount Enclosure, 24 Port, LC Duplex Footprint, w/Splice Tray	Black
FDP24LSSSBK	Fiber Rack Mount Enclosure, 24 Port, LC Simplex Square, w/Splice Tray	Black
FDP24LDSSBK	Fiber Rack Mount Enclosure, 24 Port, LC Duplex Square, w/Splice Tray	Black

* For other ports, replace 24(1RU) with 12(1RU), 36(2RU), or 48(2RU). Ivory color is available.



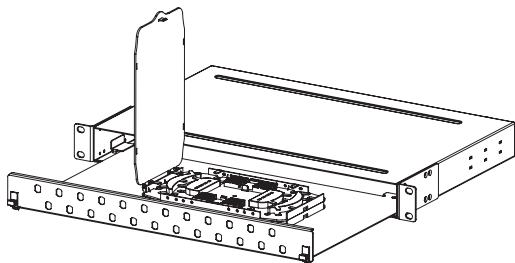
Dimension : 1.75"x19"x11"

Panel Size : Apply with 130 x 29mm panel



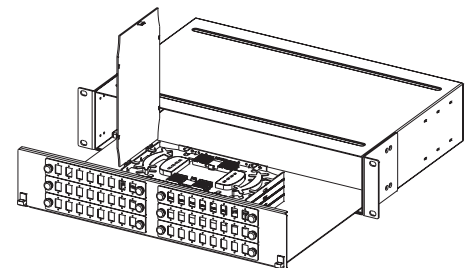
Dimension : 3.4"x19"x11"

Panel Size : Apply with 99 x 37mm panel



Dimension : 1.75"x19"x11"

Panel Size : Apply with 130 x 29mm panel



Dimension : 3.4"x19"x11"

Panel Size : Apply with 160 x 25.5mm panel

FIBER OPTIC SYSTEM

Sliding Fiber Rack Mount Enclosure



- Holds up to 3 adaptor panels
- Front cover for avoiding dust and custom prints
- Hinged tray design for easy installation

Part Number	Part Description	Ctn. Q'ty.
FDPSS100	Fiber Sliding Enclosure, w/o Adaptor Panel & Splice Tray	3
With Adaptor Panel & Splice Tray, w/o Adaptor		
FDPSS18CSF	18 Port, 3 pcs Adaptor Panel, SC Simplex Flange Type	3
FDPSS24FD	24 Port, 3 pcs Adaptor Panel, FC D Type	3
FDPSS24TT	24 Port, 3 pcs Adaptor Panel, ST Thread Type	3
FDPSS24CDF	24 Port, 3 pcs Adaptor Panel, SC Duplex Flange Type	3
FDPSS48LDS	48 Port, 3 pcs Adaptor Panel, LC Duplex Square Type	3
Adaptor Panel, Unload		
FDPSP-B	Blind	200
FDPSP-6CSF	6 Port, SC Simplex Flange Type	200
FDPSP-8FD	8 Port, FC D Type	200
FDPSP-8TT	8 Port, ST Thread Type	200
FDPSP-8CDF	8 Port, SC Duplex Flange Type	200
FDPSP-16LDS	16 Port, LC Duplex Square Type	200

Wall Mount Enclosure

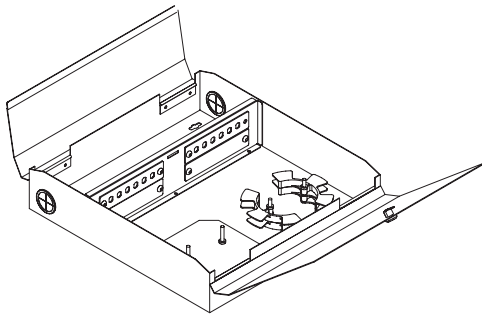
Fiber Wall Mount Box



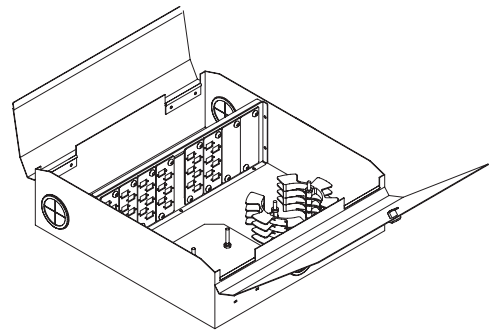
- 12/24/36/48 Ports
- Use for FC/ST/SC Simplex/SC Duplex/SC Footprint/LC Simplex/LC Duplex Adaptors
- Dual door with keyed lock for security
- Accessory (Option): Splice Tray, Cable Routing, Grommet, Cable Ties, and Sleeve

Part Number	Part Description	Color
FDB24FNSSIV	Fiber Wall Mount Box,24 Port,FC Square,w/Splice Tray	Ivory
FDB24TNTSIV	Fiber Wall Mount Box,24 Port,ST Thread,w/Splice Tray	Ivory
FDB24CSFSIV	Fiber Wall Mount Box,24 Port,SC Simplex,w/Splice Tray	Ivory
FDB24CDFSIV	Fiber Wall Mount Box,24 Port,SC Duplex Falnge,w/Splice Tray	Ivory
FDB24LDPSIV	Fiber Wall Mount Box,24 Port,LC Duplex Footprint,w/Splice Tray	Ivory
FDB24LSSSIV	Fiber Wall Mount Box,24 Port,LC Simplex Square,w/Splice Tray	Ivory
FDB24LDSSIV	Fiber Wall Mount Box,24 Port,LC Duplex Square,w/Splice Tray	Ivory

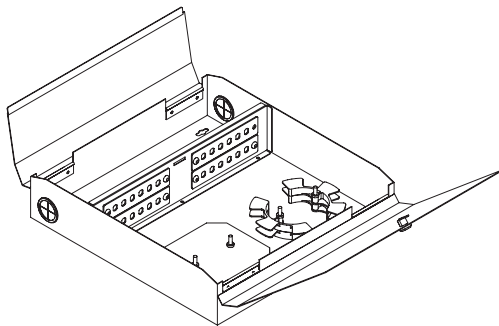
* For other ports, replace 24(1RU) with 12(1RU), 36(2RU), or 48(2RU). Black color is available.



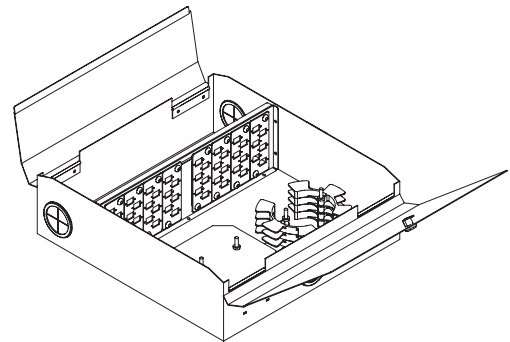
Dimension : 14.5"x13.8"x3.2"
Panel Size : Apply with 130 x 29mm Panel



Dimension : 14.5"x13.8"x4.4"
Panel Size : Apply with 99 x 37mm Panel



Dimension : 14.5"x13.8"x3.2"
Panel Size : Apply with 130 x 29mm Panel



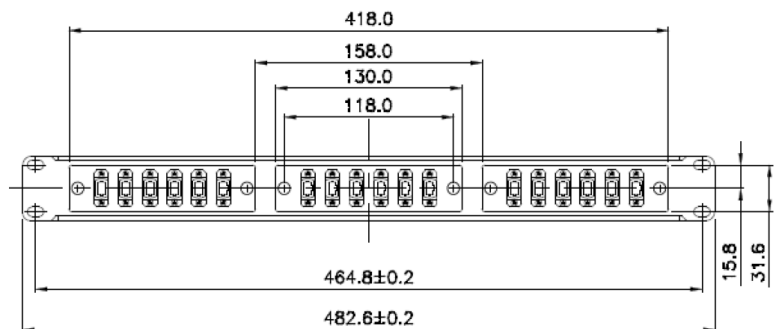
Dimension : 14.5"x13.8"x4.4"
Panel Size : Apply with 99 x 37mm Panel

Fiber Patch Panel

Fiber Patch Panel



- Mounting up to 3 adaptor panels/cassettes
- LGX system compatible
- Economic design allow easy access to connectors
- Flush mount onto open rack or cabinet



Part Number	Part Description	Adaptor
FDPBL3	Blank Fiber Patch Panel	-
FDPBL3OBK	MPO Fiber Patch Panel, Loaded with 18 MPO Adaptors, Up to down	Black

FIBER OPTIC SYSTEM

Adaptor Panel

Fiber Adaptor Panel



- 4 Port Adaptor Panel, 130*29mm
- 6 Port Adaptor Panel, 130*29mm
- 2*3 Port Adaptor Panel, 99*37mm
- 8 Port Adaptor Panel, 160*25.5mm

P/N: FDB **AA02** BK

Type	Hole Type	Adaptor Type	4 Port	6 Port	2x3 Port	8 Port
			AA	AB	AC	AD
AA02		ST Thread	AA02	AB02	AC02	AD02
		FC Square	AA01	AB01	AC01	AD01
		FC D Type				
		ST Flange	AA03	AB03	AC03	AD03
		FC Flange				
		SC Simplex				
		ST to FC				
		ST to SC				
		FC to SC				
		SC Duplex	AA04	AB04	AC04	AD04
		ST Duplex				
		ST to SC Duplex				
		LC Simplex Square	AA06	AB06	AC06	AD06
		LC Duplex Square Type	---	AB07	AC07	AD07
	LC Duplex SC Foot	---	AB05	AC05	AD05	
	MTRJ					
Color	BK	BK=Black; IV=Ivory				

Accessory

Advanced Fiber Rack Mount Enclosure

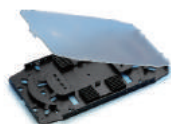
A

B

C

D

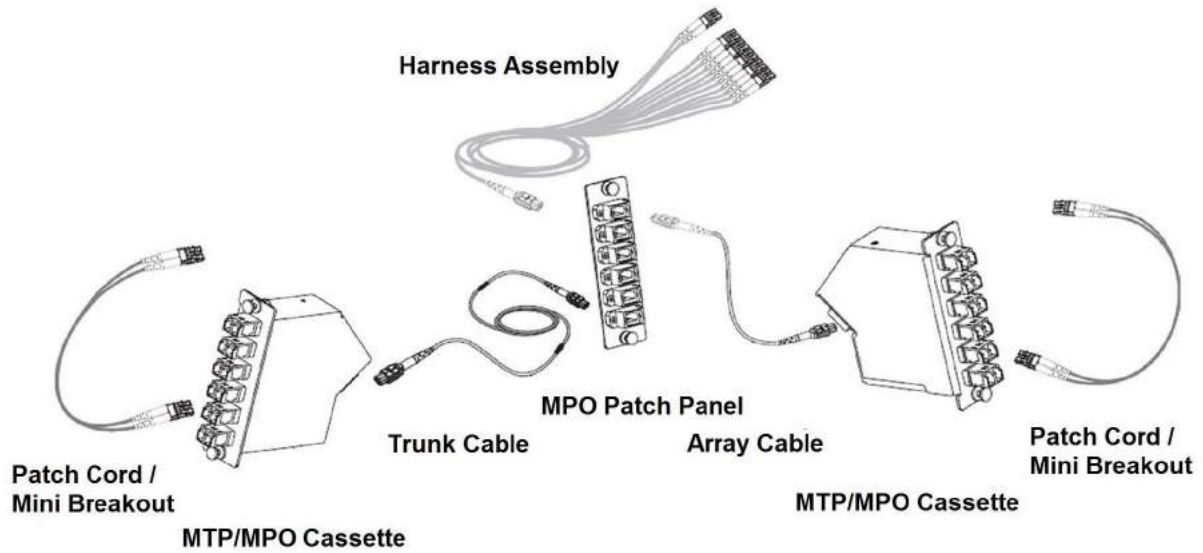
E



Part Number	Part Description	Ctn. Q'ty.	
A	FDASRBK	Splice Tray & Spool Cable Routing, Black	120
	FDASRIV	Splice Tray & Spool Cable Routing, Ivory	120
B	FDAPS	Fusion Splice Protector Sleeve, Length 2.3, Diameter 0.0625	10,000
C	FDACRBK	Spool Cable Rounting takes 2pcs/set, Full Moon cable, Black	400
	FDACRIV	Spool Cable Rounting takes 2pcs/set, Full Moon cable, Ivory	400
D	FDASHBK	Splice Plastic Holder for 6 Fiber, Black	500
	FDASHIV	Splice Plastic Holder for 6 Fiber, Ivory	500
E	FDASTBK	Splice Tray with 2 sets of splice plastic holder, Black	70
	FDASTIV	Splice Tray with 2 sets of splice plastic holder, Ivory	70

Data Center Product Linkage

Migration from 10G to 40G



Migration from 40G to 100G

